

3826

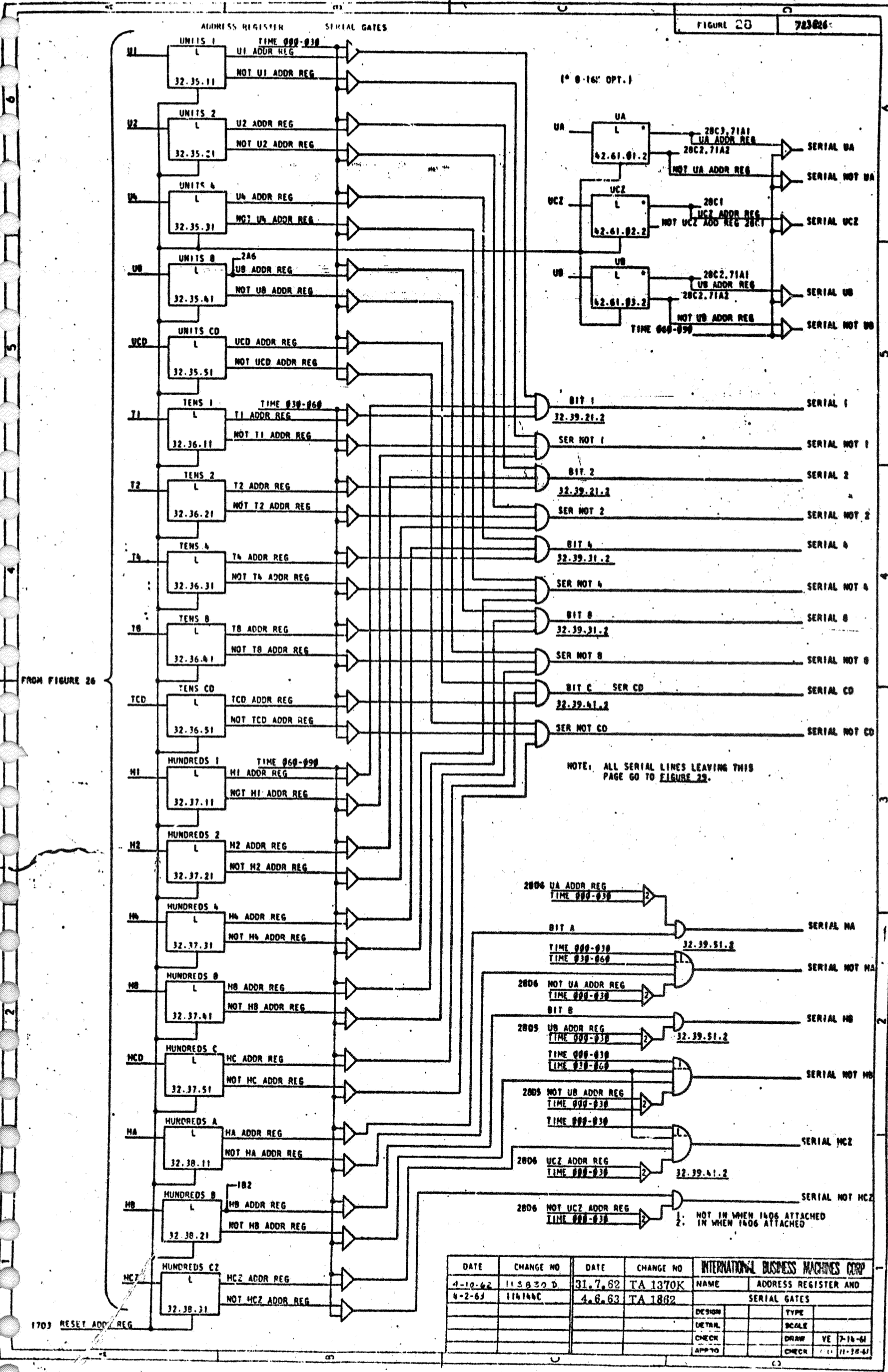


FIGURE 20 723826

FROM FIGURE 26

NOTE: ALL SERIAL LINES LEAVING THIS PAGE GO TO FIGURE 29.

DATE	CHANGE NO	DATE	CHANGE NO	INTERNATIONAL BUSINESS MACHINES CORP	
4-10-62	115830 D	31.7.62	TA 1370K	NAME	ADDRESS REGISTER AND
4-2-63	116146C	4.6.63	TA 1882	SERIAL GATES	
				DESIGN	TYPE
				DETAIL	SCALE
				CHECK	DRAW VE 7-16-61
				APPRO	CHECK 11-30-61

723826

1862