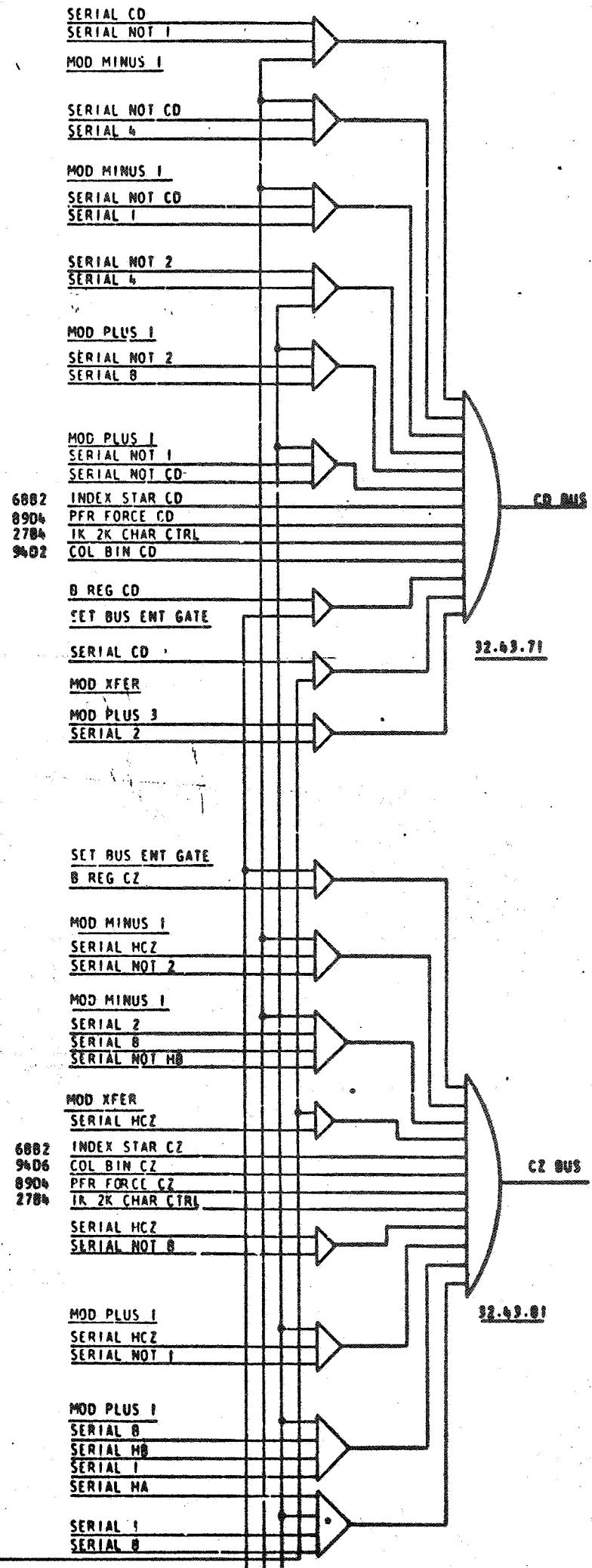
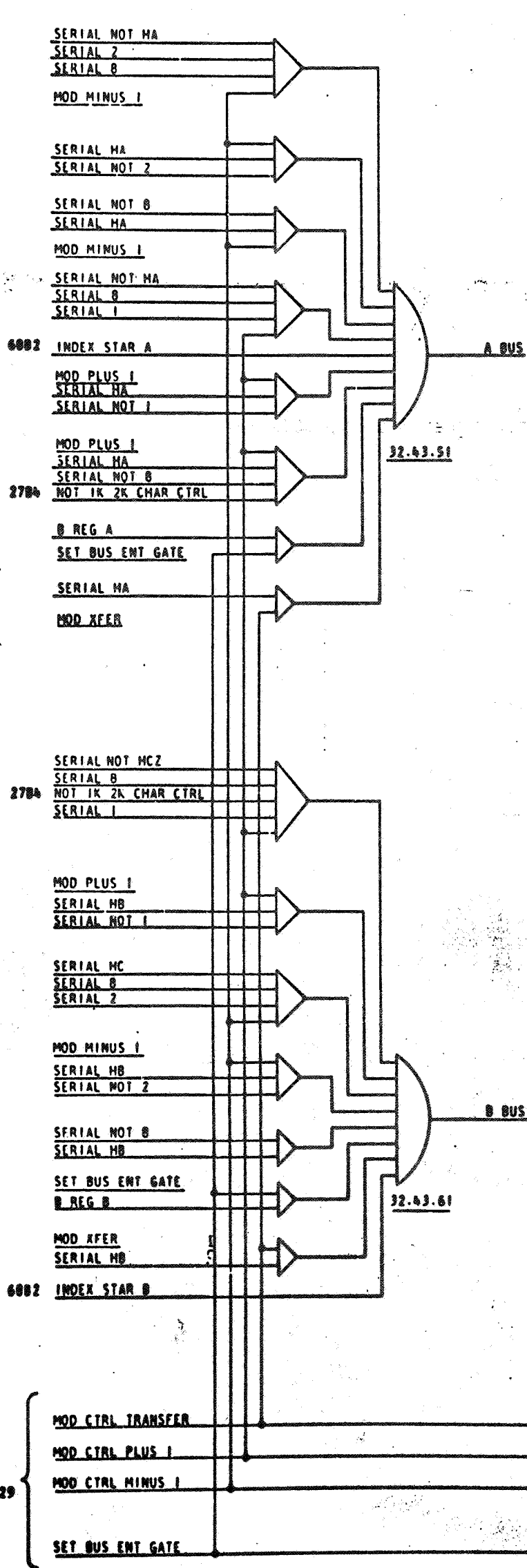
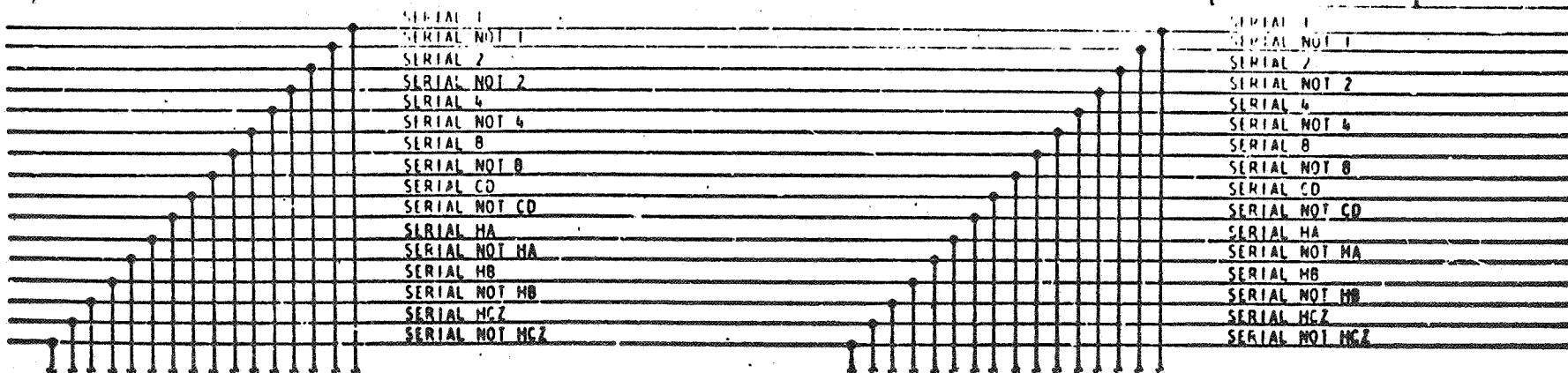


FROM FIGURE 29

TO FIGURE 31, 32



FROM FIGURE 29

DATE	CHANGE NO	DATE	CHANGE NO	INTERNATIONAL BUSINESS MACHINES CORP			
4-10-62	113830 D	31.7.62	TA 1370K	NAME	MODIFIER CD-A-B-CZ		
4-2-63	114146 C	4.6.63	TA 1862	BUS			
				DESIGN		TYPE	
				DETAIL		SCALE	
				CHECK		DRAW	VE 7-16-61
				APPRO		CHECK	