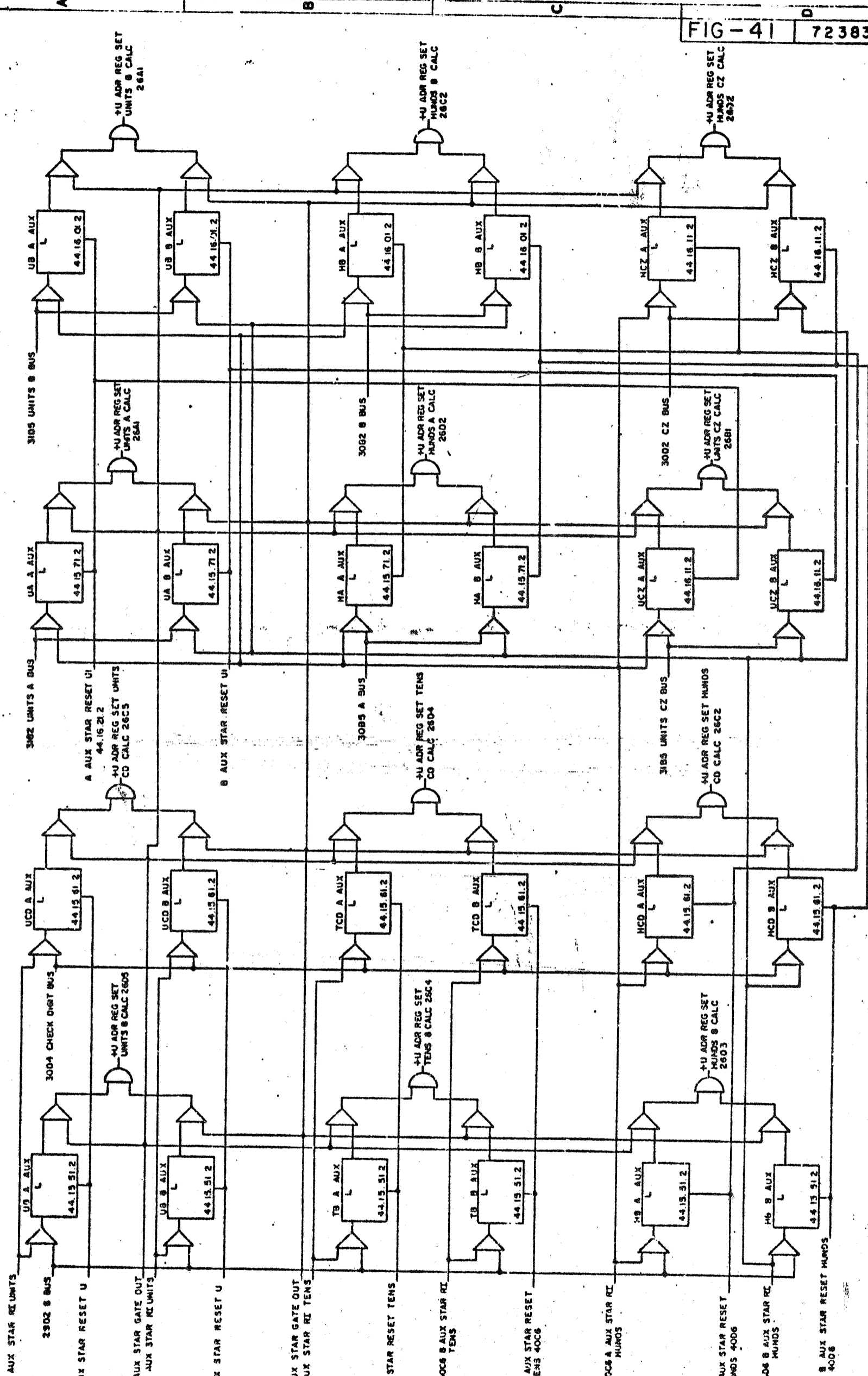


FIG-41 723835



DATE	CHANGE NO.	DATE	CHANGE NO.	INTERNATIONAL BUSINESS MACHINES CORP
4-11-62	113830D	31.7.62	TA 1370K	NAME A AUX STAR AND B AUX
3-29-63	114166C	4.6.63	TA 1862	STAR CONTROLS 2
				DESIGN RCP 5.11.63 TYPE
				DETAIL RCP 3.11.63 NONE
				CHECK RCP 3.11.63 NONE
				APPROV RCP 3.11.63 NONE

723835 1001