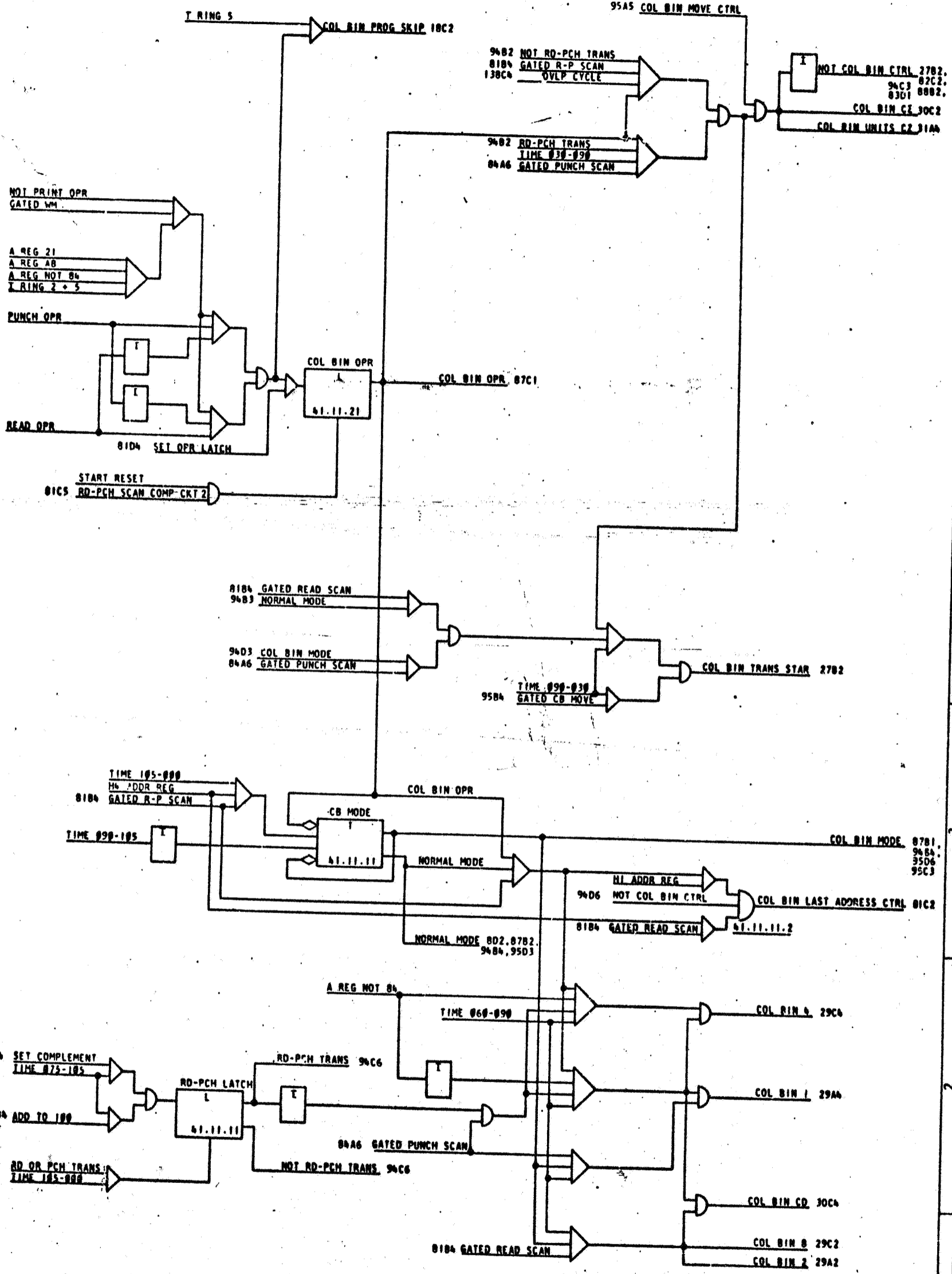


41.11.21.2



DATE	CHANGE NO	DATE	CHANGE NO	INTERNATIONAL BUSINESS MACHINES CORP			
4-10-62	113930 D	31-7-62	TA 1370K	NAME	COLUMN BINARY		
4-2-63	116164C	4-6-63	TA 1862	CONTROLS I			
				DESIGN		TYPE	
				DETAIL		SCALE	
				CHECK		DRAW	VE 7-8-61
				APPRO		CHECK	

723876
1062