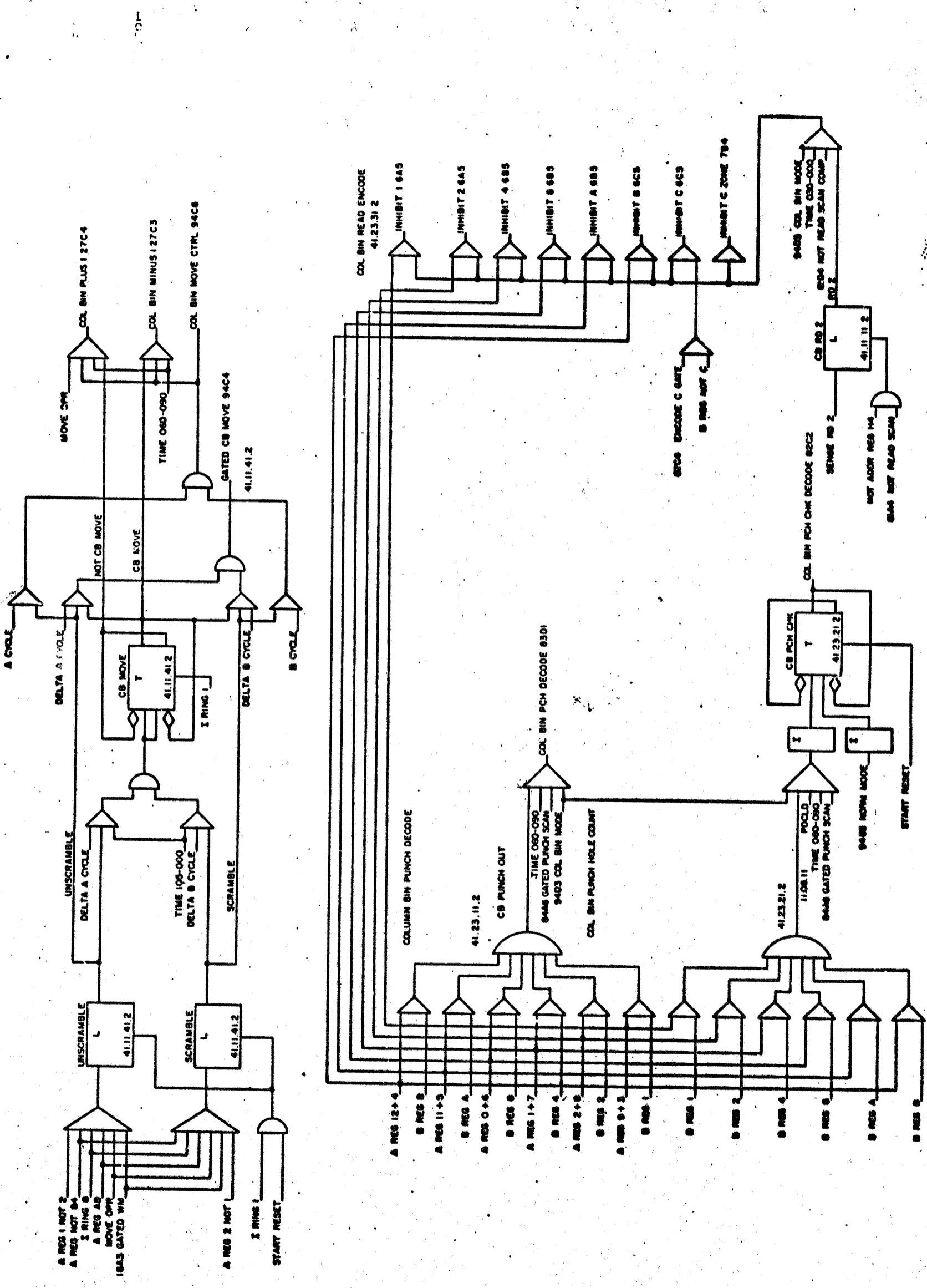


FIG-95 723877



DATE	CHANGE NO.	DATE	CHANGE NO.	INTERNATIONAL BUSINESS MACHINES CORP			
4-11-62	1138300	31.7.62	TA 1370K	NAME	COLUMN BINARY CONTROLS 2		
3-29-63	114144C	4.6.62	TA 1862	DESIGN	EDS 3.11.0	TYPE	
				DETAIL	EDS 3.11.0	SCALE	NONE
				CHECK	EDS 3.11.0	DRAW	VE 12-21-62
				APPRO	40	CHECK	

723877