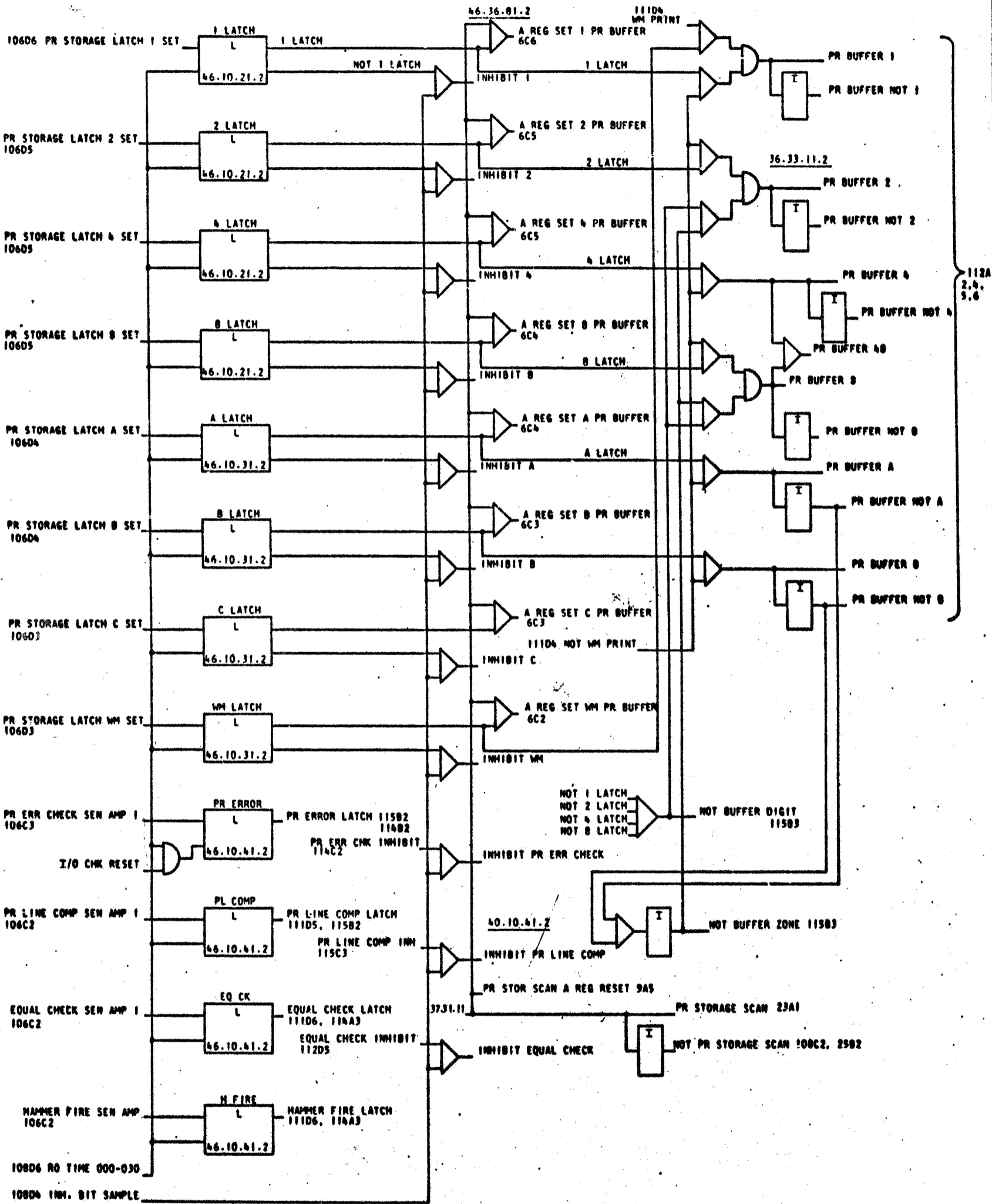


PRINT STORAGE LATCHES



DATE	CHANGE NO.	DATE	CHANGE NO.	INTERNATIONAL BUSINESS MACHINES CORP			
4-10-62	113330 E	31.7.62	TA 1370K	NAME	PRINT BUFFER STORAGE AND		
4-2-63	114144 C	4.6.63	TA 1862		DATA FLOW 2 (PF)		
				DESIGN		TYPE	
				DETAIL		SCALE	NONE
				CHECK		DRAW	VE 11-29-61
				APPRO		CHECK	12-4-61

72389