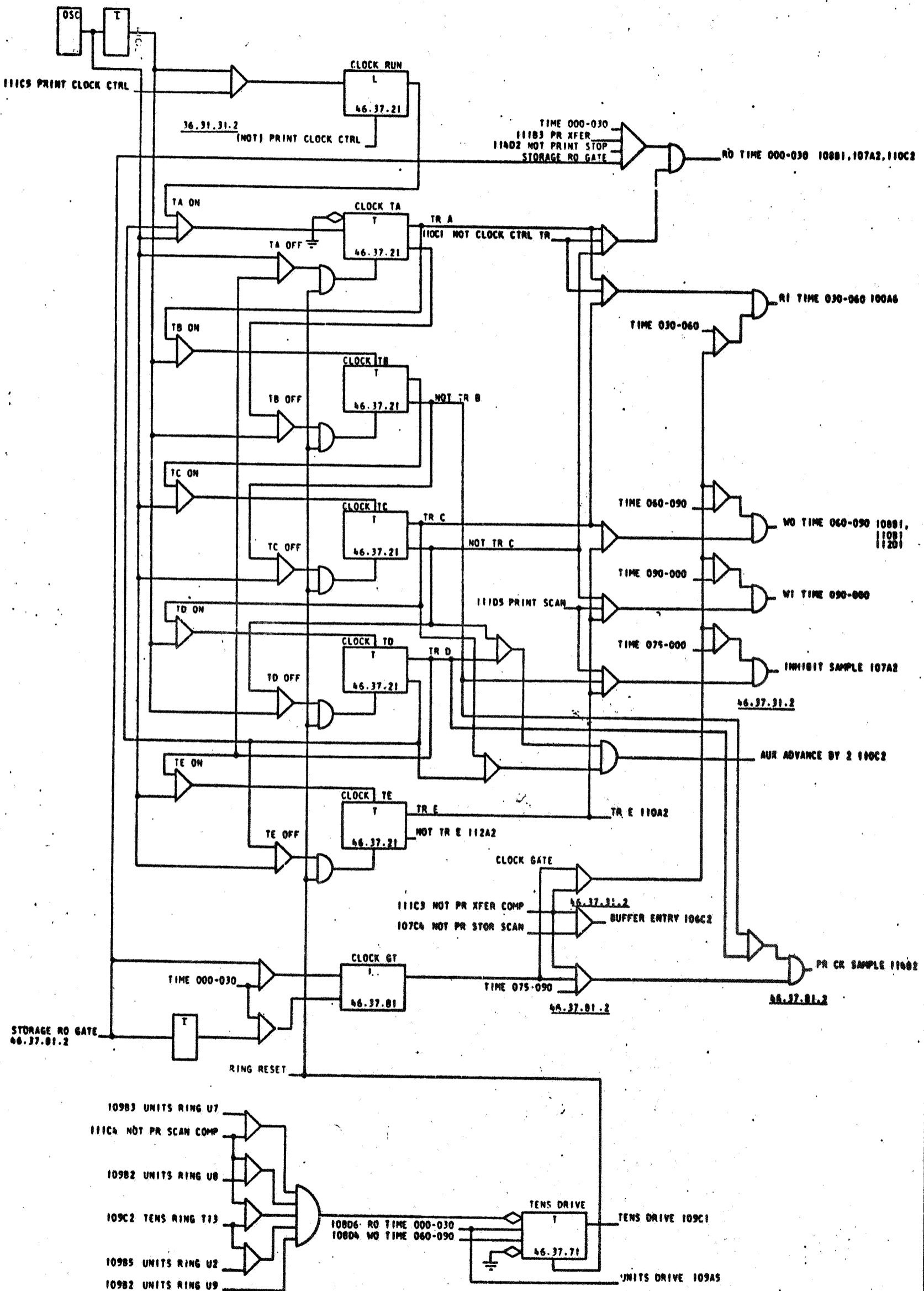


723890



DATE	CHANGE NO.	DATE	CHANGE NO.	INTERNATIONAL BUSINESS MACHINES CORP	
4-10-62	113930 D	31.7.62	TA 1370K	NAME	PRINT BUFFER CLOCK (PF)
4-2-63	111144C	4.8.63	TA 1842	DESIGN	TYPE
				DETAIL	SCALE
				CHECK	DRAW
				APPRO	CHECK

1862
 723890
 1