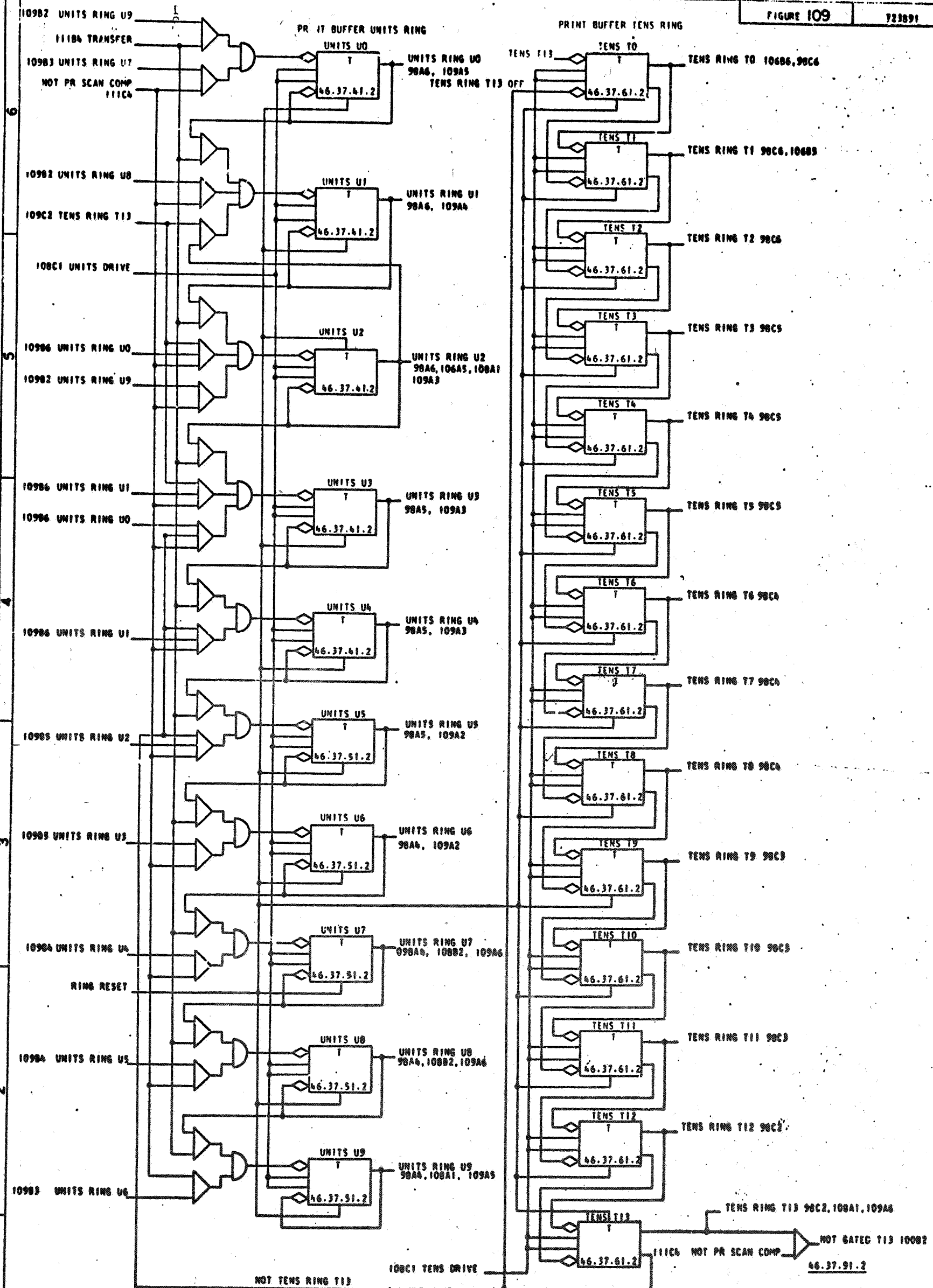


FIGURE 109

723891



DATE	CHANGE NO.	DATE	CHANGE NO.	INTERNATIONAL BUSINESS MACHINES CORP	
4-10-62	11330	31.7.62	TA 1370K	NAME	PRINT BUFFER RINGS
4-2-63	11616C	4.6.63	TA 1862		(PF)
				DESIGN	TYPE
				DETAIL	SCALE NONE
				CHECK	DRAW VE 1-10-62
				APPRO	CHECK

723891