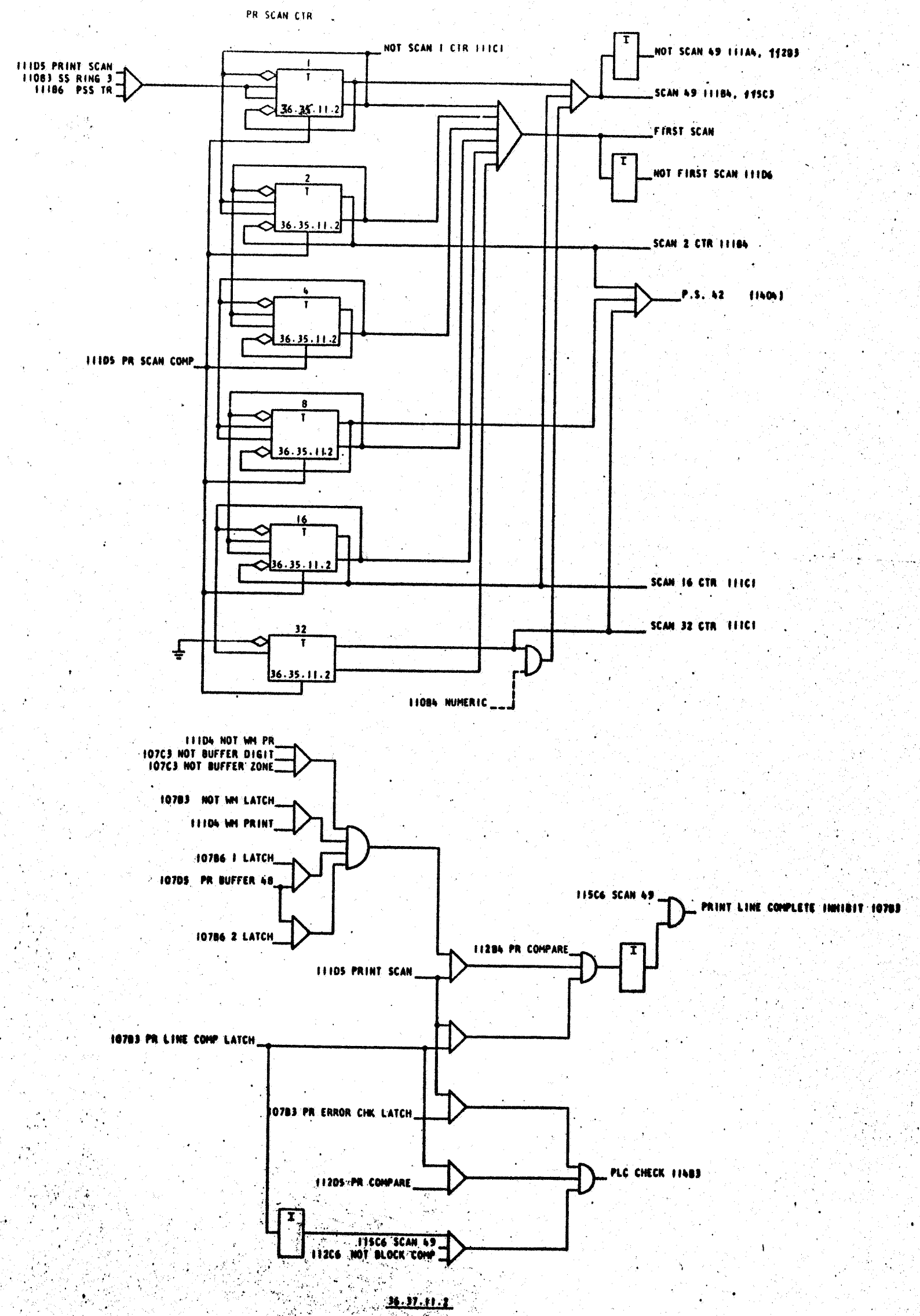


FIGURE 115 723897



DATE	CHANGE NO.	DATE	CHANGE NO.	INTERNATIONAL BUSINESS MACHINES CORP			
4-10-62	111330 D	31.7.62	TA 1370K	NAME	PRINT BUFFER CONTROLS 4		
4-2-63	114144C	4.6.63	TA 1862		(PF)		
				DESIGN		TYPE	
				DETAIL		SCALE	NONE
				CHECK		DRAW	VE 11-18-61
				APPRO		CHECK	227/11-27-61

723897
1862