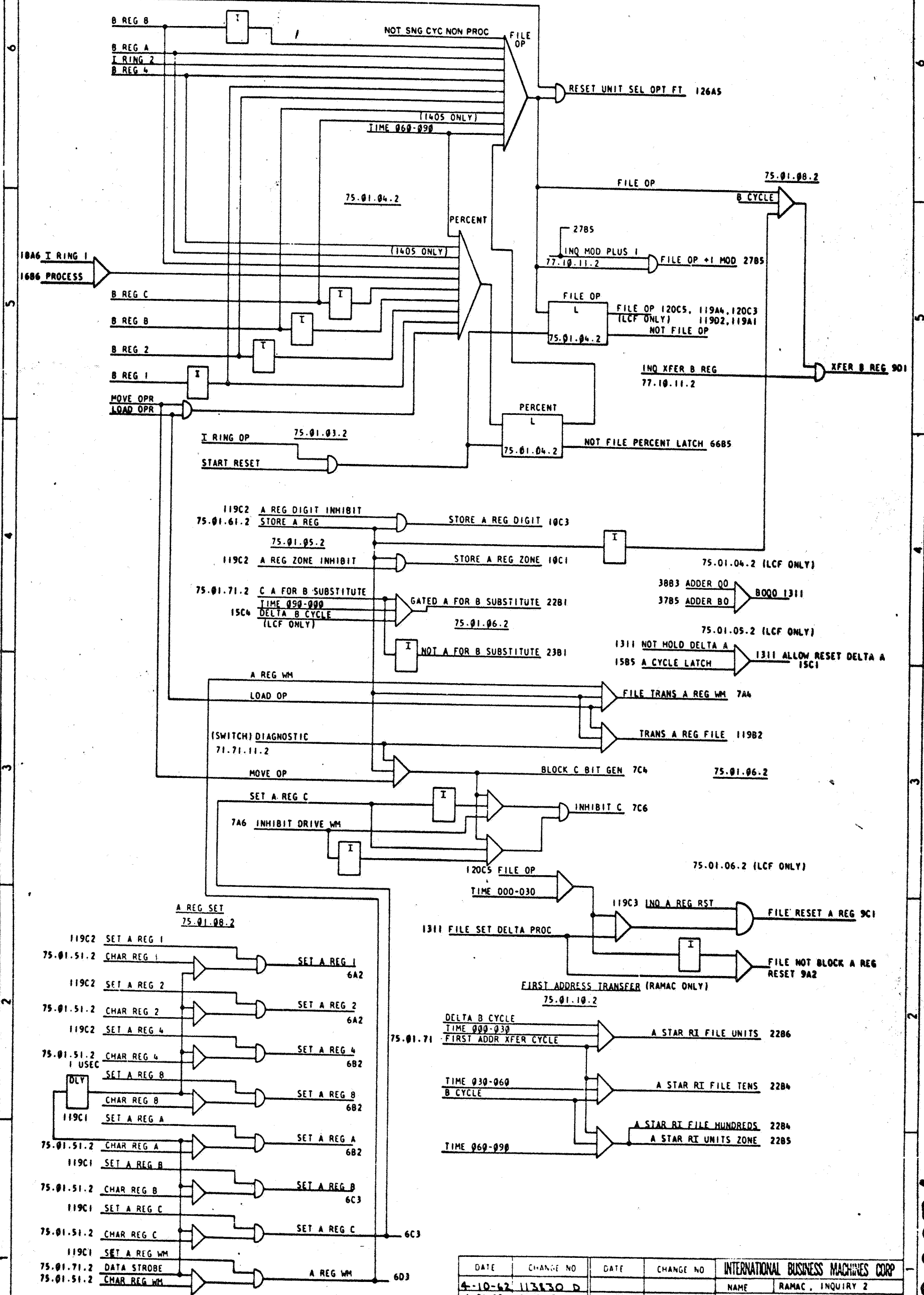


77.10.21.2 INQ RESET UNIT SELECT



DATE		CHANGE NO		INTERNATIONAL BUSINESS MACHINES CORP			
4-10-62	113130 D			NAME	RAMAC, INQUIRY 2		
6-21-62	114144B				AND 1311 (LCF)		
4-2-63	114144C	31.7.62	TA 1370K	DESIGN		TYPE	
9-25-63	118584	15.11.63	TA 604D	DETAIL		SCALE	
				CHECK		DRAW	VE 7-11-61
				APPRO		CHECK	

723902