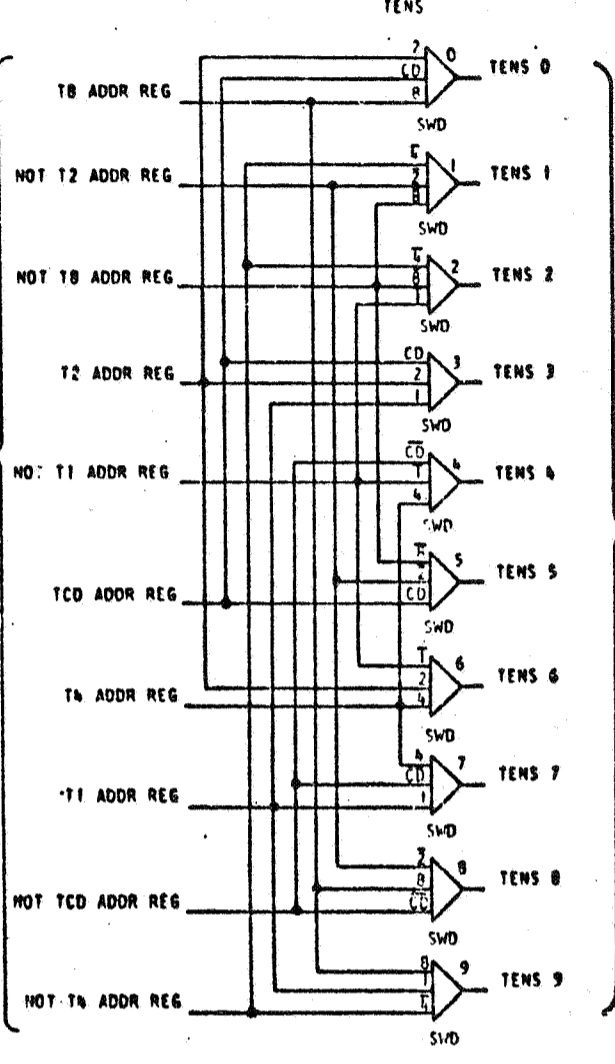
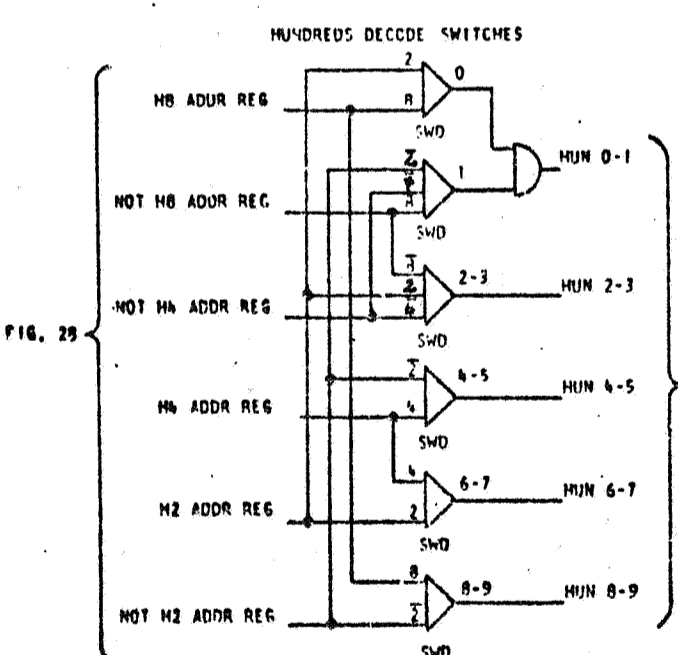


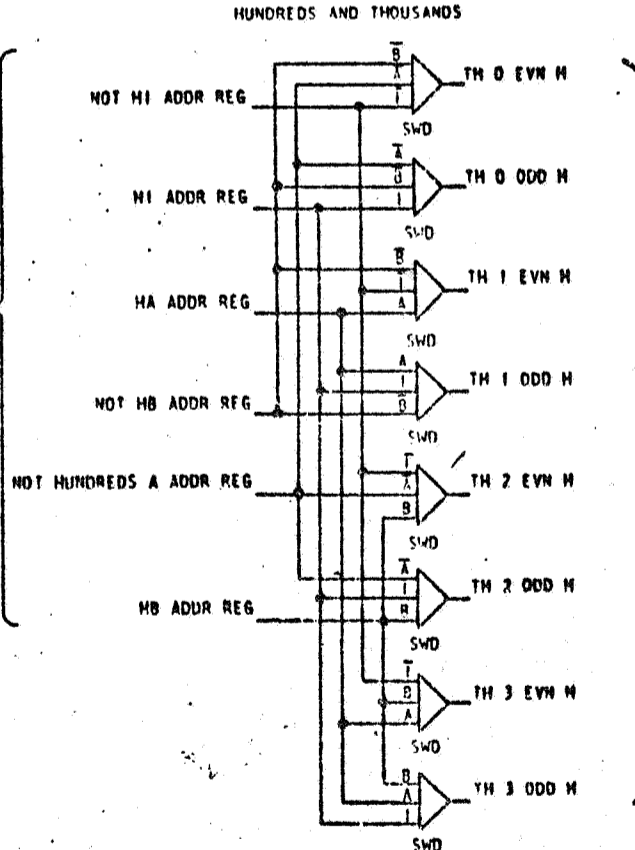
42.53.11.2



42.54.11.2



42.55.11.2



42.56.11.2

DATE	CHANGE NO.	DATE	CHANGE NO.	INTERSTATE BUSINESS MACHINES CORP
4-10-62	INITIAL	11-10-62	1A	NAME STORAGE DECODE
4-2-63	INITIAL	1-10-63	1A 1062	SWITCHES
				DESIGN
				DETAIL
				CHECK
				APPROV
				TYPE
				SCALE NONE
				DRWG VE 10-42-51
				CHECK 10-42-51

723917
1062