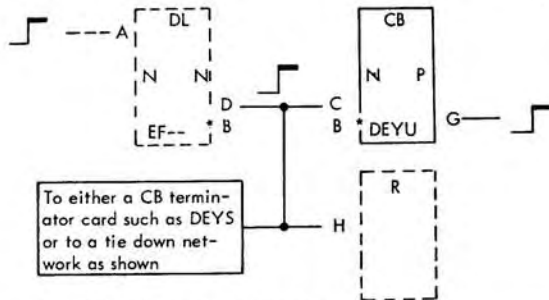
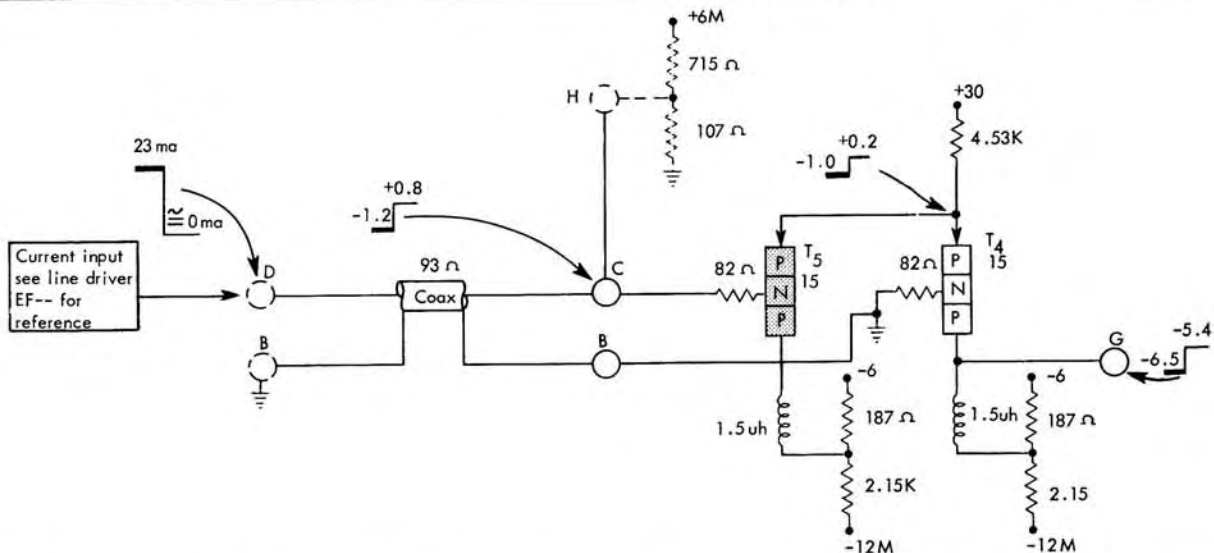


Because of certain automated-logic-diagramming problems, the coax line is occasionally shown leaving the block from the output side. Such a useage does not indicate an output but merely that the input coax is feeding additional blocks



To either a CB terminator card such as DEYS or to a tie down network as shown

Typical Application of Buffer Converter



Card Code	Part No. 37----	Cplg Network		Circuit Used as	Input Levels		In ∅ Output		T <sub>5</sub> Collector		Ma. Output		musec Block Delay		
		In ∅	Out ∅		Min.	Max.	Min.	Max.	Min.	Max.	In ∅	T <sub>5</sub>	Turn On	Turn Off	
DEYU	1326	Yes	Yes	CB	+0.4	See driver for max. Output Levels	-5.6	-5.2	-5.6	-5.1					
DEYT	1327	No	Yes		-0.4		-6.4	-6.5	-6.4	-6.5	Min.	5.97	6.04	3	4
											Nom.	6.56	6.69	14	12
											Max.	7.14	7.34	23	24