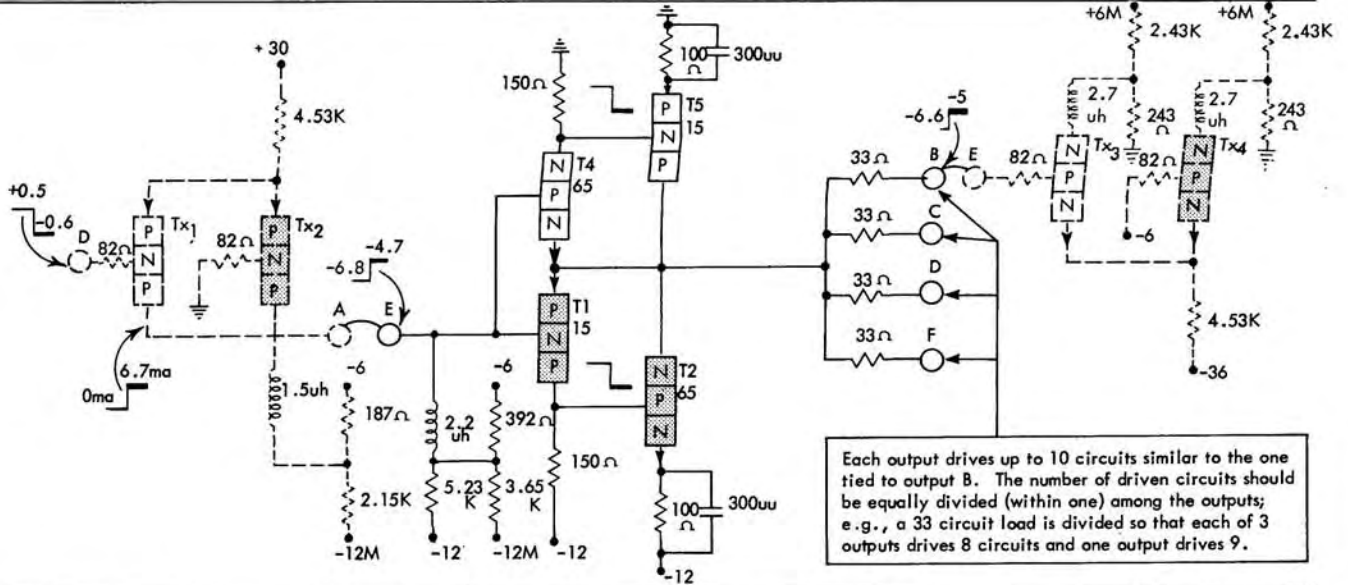


Typical Application of Power Driver



Each output drives up to 10 circuits similar to the one tied to output B. The number of driven circuits should be equally divided (within one) among the outputs; e.g., a 33 circuit load is divided so that each of 3 outputs drives 8 circuits and one output drives 9.

Card Code	Part No.	Circuit Used As	Input Levels		Output Levels		μsec Block Delay (Note 1)			Input Current Driven By	Min. Pulse Width
			Min.	Max.	Min.	Max.	Turn On	Turn Off	Type A Block, in Ø output		
DNYJ	1354	DP	-5.1	-4.3	-5.5	-4.5	Min.	15	13	Type A Block, out Ø output (only when DP input clamp circuit is used).	A ± drive pulse of 50 μsec followed by a 100 μsec recovery time.
			-6.7	-6.9	-6.4	-6.7	Nom.	31	21	Type B Block, either output	
							Max.	45	31		

Note 1. Delays are measured from input terminal E of the power driver to the output of a logic block driven by the driver. The delays shown are those of the 4-10 base driver and are only approximate values for the 11-40 base driver.

See next page for purpose and circuit description.