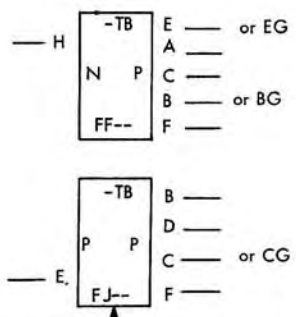
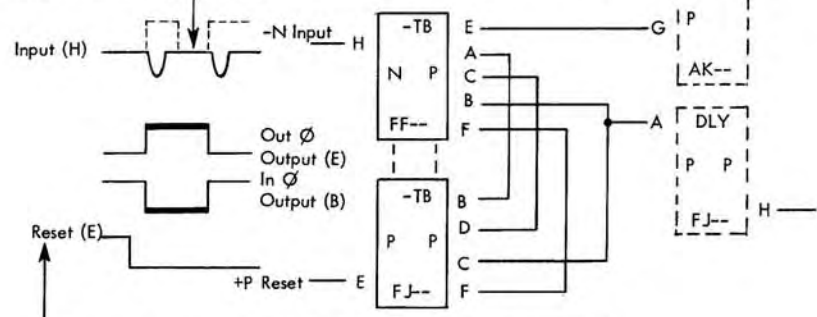


FF --
FJ --

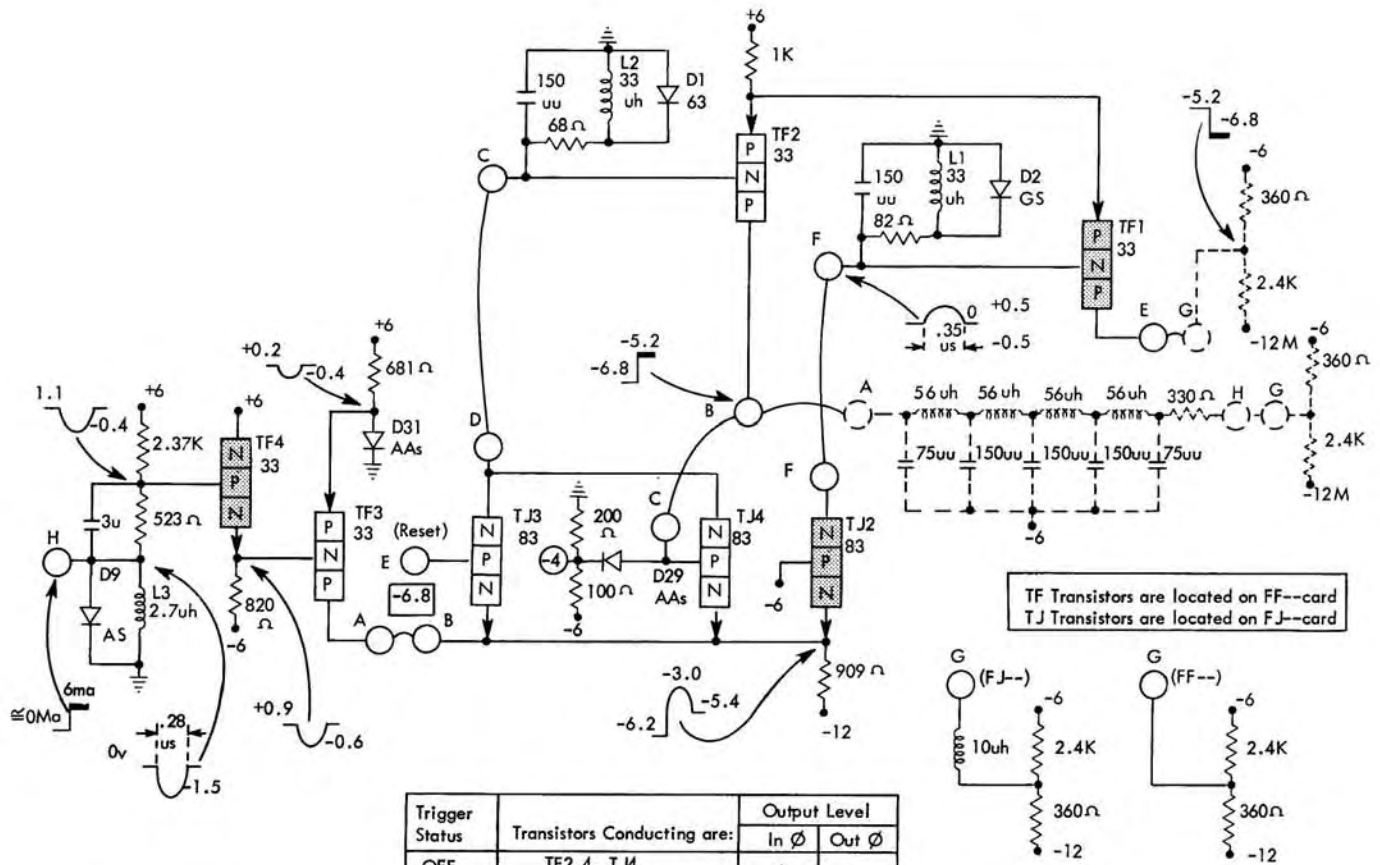


See other page (FJ--)
for use as a delay ckt

Input H has an inductive network which requires a current input. The up level of the dashed signal indicates the input current duration.



Plus on reset line turns the trigger off and the in \emptyset output is plus. Each negative shift on the input changes the trigger status. When the trigger is on the in \emptyset output follows the sign of the function and is negative.



Trigger Status	Transistors Conducting are:	Output Level	
		In \emptyset	Out \emptyset
OFF	TF2,4, TJ4	+	-
ON	TF1,4, TJ2	-	+

Sequence	Turn Off	Turn On
		TF4 decr \rightarrow TF3 on \rightarrow TJ2 off \rightarrow TF1 off \rightarrow TF2 on \rightarrow Input times out \rightarrow TF4 incr \rightarrow TF3 off \rightarrow TJ4 on \rightarrow TJ4 Keeps TF2 on

FF--	371411	Current Mode, Negative Binary Trigger Card 1
FJ--	371412	Current Mode, Negative Binary Trigger Card 2