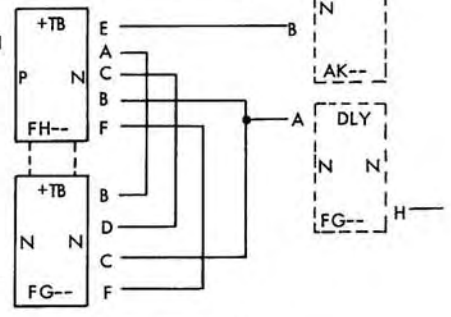
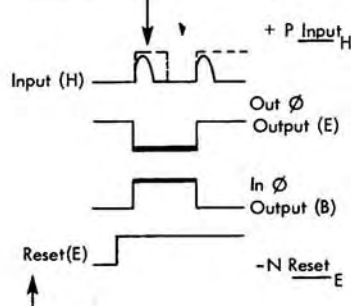


See other page (FG--)
for use as a delay ckt.

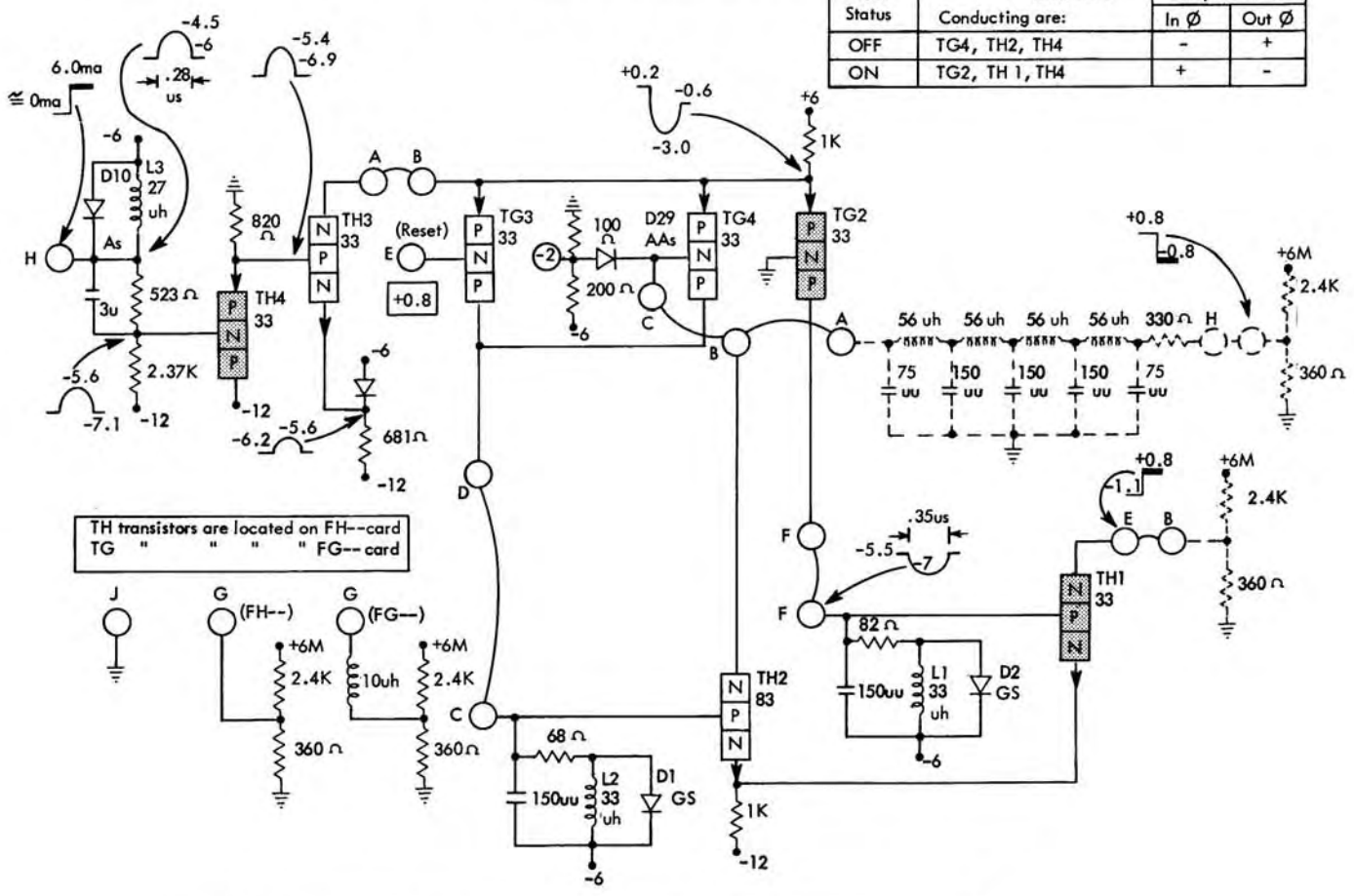
Input H has an inductive network which requires a current input. The up level of the dashed signal indicates the input current duration.



Minus on reset line turns the trigger off and the in Ø output is minus. Each plus shift on the input changes the trigger status. When the trigger is on the in Ø output follows the sign of the function and is positive.

Sequence	Turn Off	TH4 decr → TH3 on → TG2 off → TH1 off → TH2 on → Input times out → TH4 incr → TH3 off → TG4 on → TG4 keeps TH2 on
	Turn On	TH4 decr → TH3 on → TG4 off → TH2 off → TH1 on, Input times out → TH4 incr → TH3 off → TG2 on → Keeps TH1 on

Trigger Status	Transistors Conducting are:	Output Level	
		In Ø	Out Ø
OFF	TG4, TH2, TH4	-	+
ON	TG2, TH1, TH4	+	-



TH transistors are located on FH--card
TG " " " " FG-- card

FH--	371413	Current Mode, Positive Binary, Trigger Card 1
FG--	371414	Current Mode, Positive Binary, Trigger Card 2