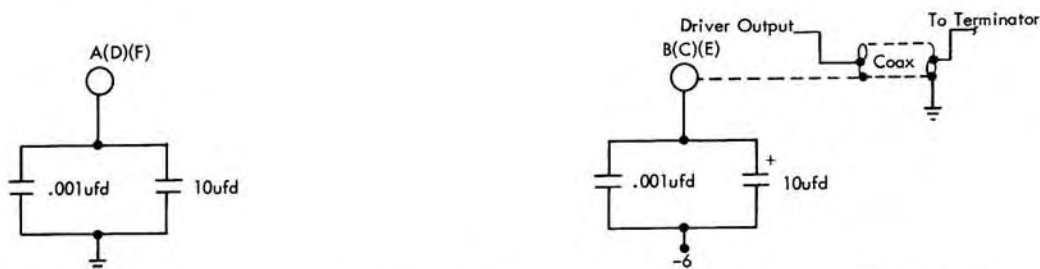
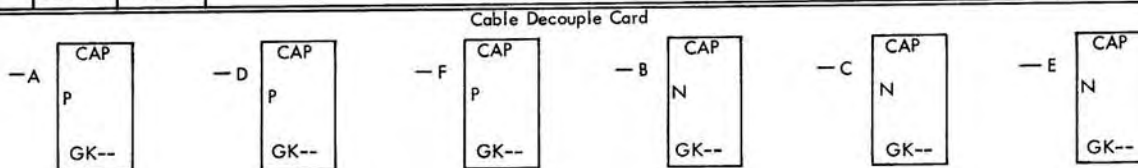
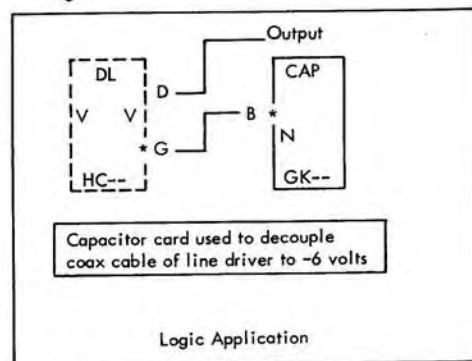


Card Code	Part No.	Circuit Use
GJ--	371501	FILT



6 Networks per Card



Card Code	Part No.	Circuit Use
GK--	371533	CAP

General Purpose Filter Card

The GJ -- card consists of five 10µfd capacitors used to filter supply voltages to ground potential. The capacitors on the card return directly to the voltage terminals on the SMS card, and eliminate the need for additional back-panel wiring. Signal or voltage pins are not shown on the logic block configuration for this card.

Application

For average filtering conditions, two GJ -- cards are used for each row of cards in the SMS packages. If one filter card is used, optimum filtering is achieved by locating the

filter card 75% of the distance along the card row from the voltage entry card.

Cable Decouple Card

The GK -- card consists of six capacitor networks used mainly to decouple the neutral wire of a twisted pair or the shield of a coaxial cable. Each capacitor network consists of a 10µfd electrolytic capacitor and a 0.001µfd capacitor bypasses the high frequency portion of the AC signals. Note that three of the networks decouple the AC signal to ground and three networks decouple the AC signal to -6v. A typical logic block application is shown above.