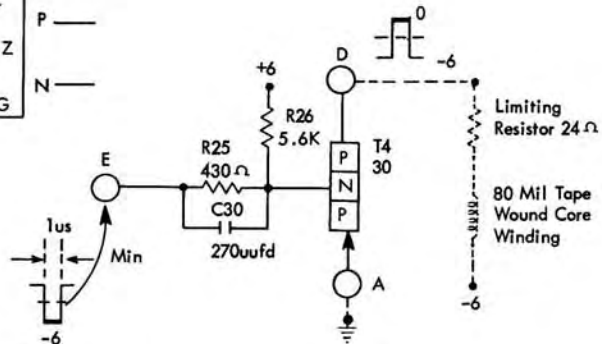


Coupling Exit

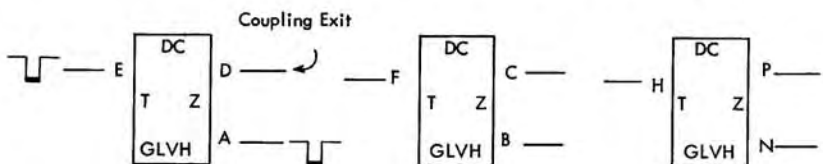
GLVG 371536

Input Levels		Output Levels		Output Current	Delays (usec)	
Min.	Max.	Min.	Max.		Per	Load Shown
Up level depends on I_{co} and I_{cbo}		0.2	-0.6	282 ma Max.	Turn On	Min. .08
-5.5	-6.2	Down level depends on load and I_{co}				Max. .12
					Turn Off	Min. .2
						Max. .7



3 Circuits per Card

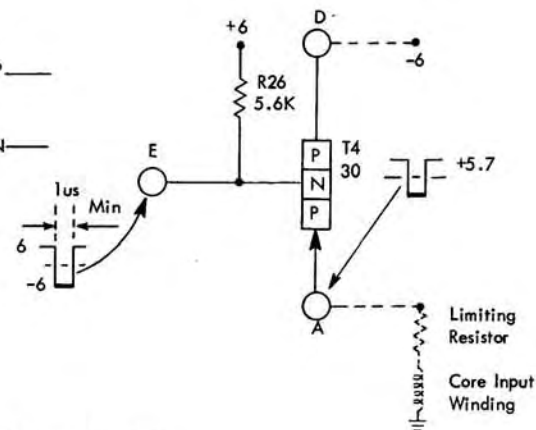
Emitter Follower Core Driver



Coupling Exit

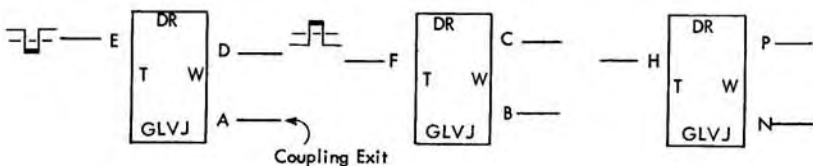
GLVH 371537

Input Levels		Output Levels		Output Current	Delays (usec)	
Min.	Max.	Min.	Max.		Turn On	Turn Off
Up level depends on I_{co} and I_{beo}		-4.9	-6.2	465 ma to 600 ma	0.1 (nom)	No Appreciable Effect
-5.5	-6.2	Down level depends on load and I_{beo}				



3 Circuit per Card

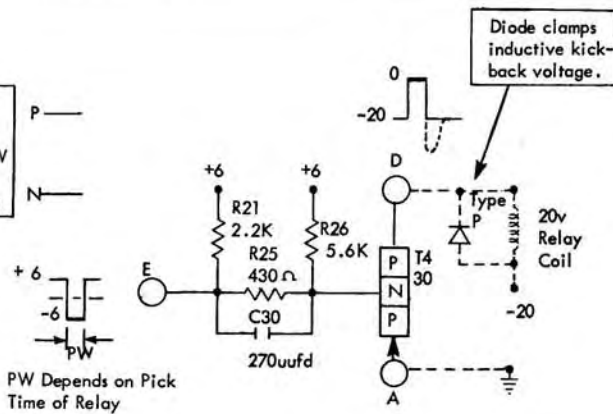
Relay Driver



Coupling Exit

GLVJ 371535

Input Levels		Output Levels		Output Current	Delays (usec)	
Min.	Max.	Min.	Max.		Turn On	Turn Off
Up level depends on I_{co} and I_{beo}		-0.6	0.2	282 ma	Min. .08	Max. .10
-5.5	-6.2	Down level depends on load and I_{co}				
					Min. 1.0	Max. 2.7



3 Circuits per Card