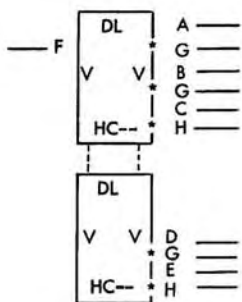
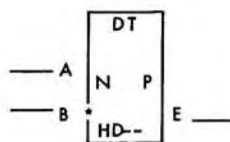


HC--

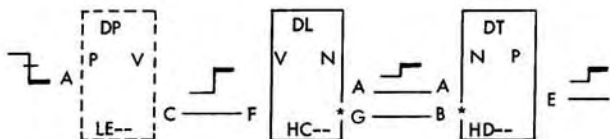
HD--



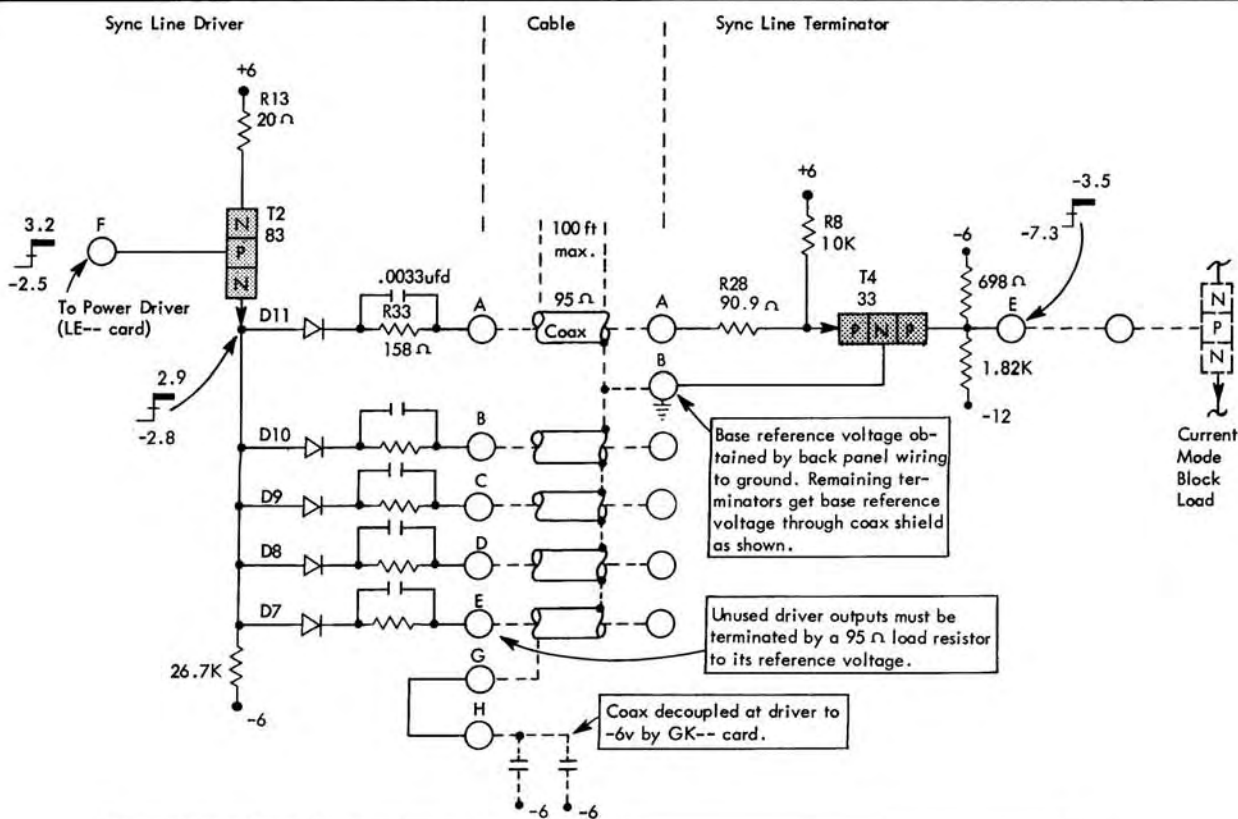
Sync Line Driver Configuration



Sync Line Terminator Configuration



Logic Application



Card Code	Part No.	Circuit Use	Sync Line Driver Input		Sync Line Terminator		Delays (usec)		
			Pin F	Output Pin E	Turn On	Per	Driver, Cable, Terminator	Foot of Coax Cable	
HC--	371527	DL	Min.	Min.		Turn On			Min.
			Max.	Max.	Max.				
HD--	371540	DT	2.7	-5.0	Turn Off	Min.	.03	1.73 musec	
			-0.5	-7.0		Max.			.04