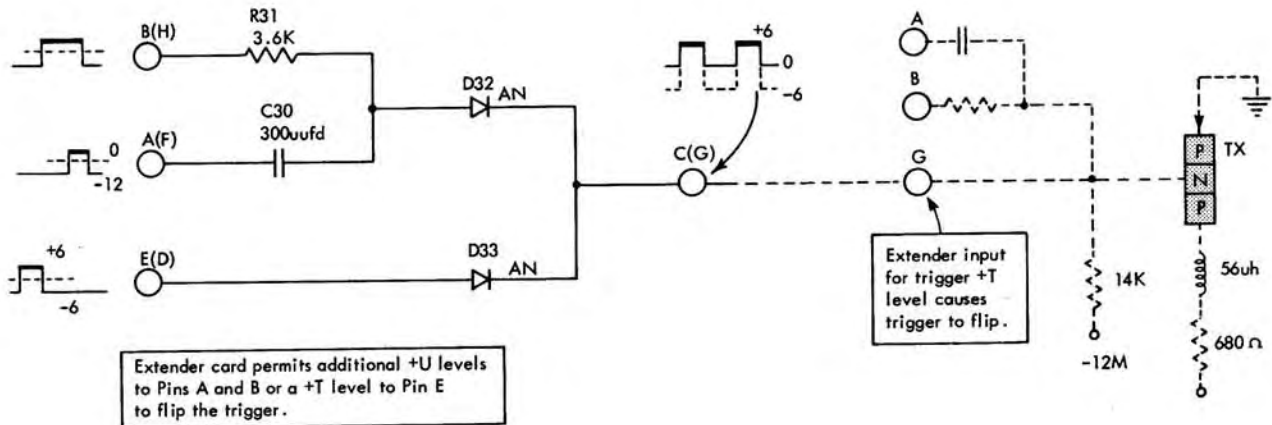


Logic Application

Extender (2 per card)

CTDL Trigger



Extender card permits additional +U levels to Pins A and B or a +T level to Pin E to flip the trigger.

JN-- 371081

"U" Line Inputs		"T" Line Inputs	
Min:	Max.	Min.	Max.
-5.3	0.2	1.44	6.2
-7.4	-6	-0.74	0
-12.5		-6.2	

CTDL Trigger Extender Card

The JN-- card consists of two circuits used for expanding the inputs to the CTDL trigger 2 circuit (JZ-- card). Each extender on this card permits an additional DC set or a gated AC set to control the trigger.

Circuit Description

DC Set Input. A +T level input applied to pin E provides a positive input to the base of TX and starts the triggering action. Refer to JZ-- card for complete CTDL trig-

ger circuit operation.

AC Set Input. A +U level at both the gate input at pin B and the signal input at pin A also provides a positive level at the base of TX to start the triggering action. D32 and D33 provide isolation between the input circuits.

Application

The extender cards are used with CTDL trigger circuits that require additional control inputs.