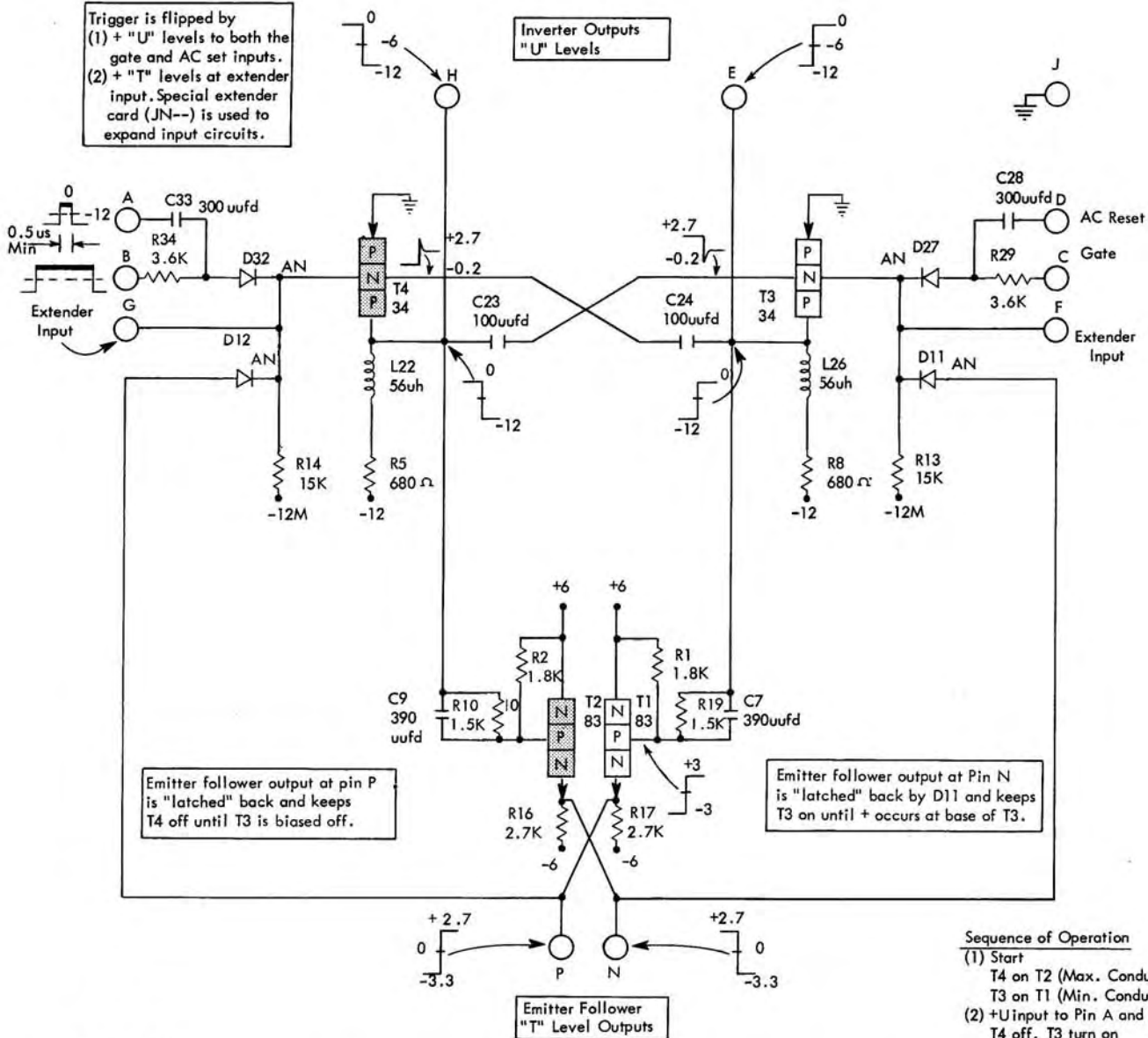


Trigger is flipped by (1) + "U" levels to both the gate and AC set inputs. (2) + "T" levels at extender input. Special extender card (JN--) is used to expand input circuits.



- Sequence of Operation**
- (1) Start  
T4 on T2 (Max. Conduction)  
T3 on T1 (Min. Conduction)
  - (2) +U input to Pin A and B  
T4 off, T3 turn on  
T1 (Max. Conduction)  
T2 (Min. Conduction)
  - (3) Emitter Follower outputs latch trigger in this state until + signal appears at base of T3 and returns trigger to its original state.

JZ-- 371082

Input Levels				Output Levels				Delays * (usec)			
Extender "T" In		AC Set and Gate		Emitter Follower		Inverter		Inverter		Emitter Follower	
Min.	Max.	Min.	Max.	Min.	Max.	Min.	Max.	Min.	Max.	Min.	Max.
0.5	+0.2	1.4	6.2	1.4	3.1	-5.2	-0.8				
-7.4	-6	-0.7	0	-0.7	-6	-7.4	-9.2	Turn On	.1	.3	.08
	-12.4		-6.2		-5.2			Turn Off	.15	.8	.055
											0.1

\* Measured from 10% to 90% values