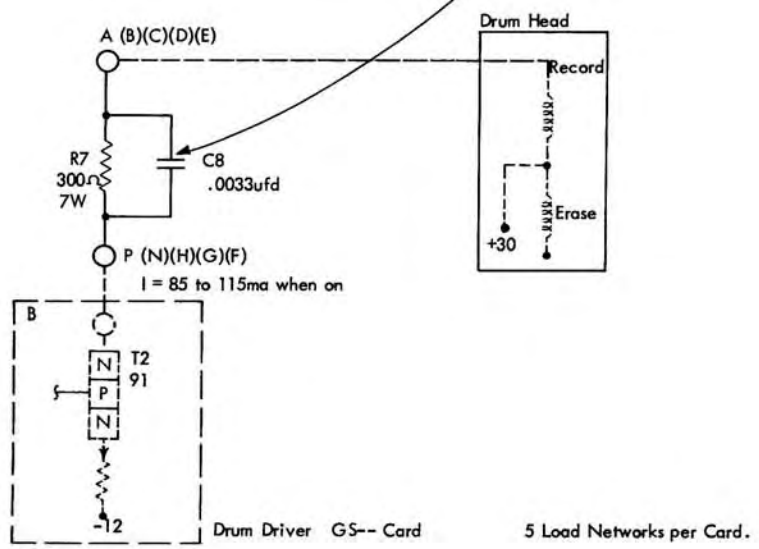


External load card required because of heat developed in resistor, (QS-- card).



Card Code	Part No.
QS--	371574

**Drum Load Card**

The qs-- card contains five resistor-capacitor networks designed especially for use with the drum driver card (gs--). These networks provide the proper load for the drum driver when writing or erasing information on a magnetic drum. An external load card was required for this application because of the excessive heat developed

in the 300 ohm resistor and power transistor.

C8 acts as a low impedance to the current pulse when the power transistor is first turned on and results in sharp rise characteristics of the output current waveform.

**Application**

A typical application for the drum load card is shown above.