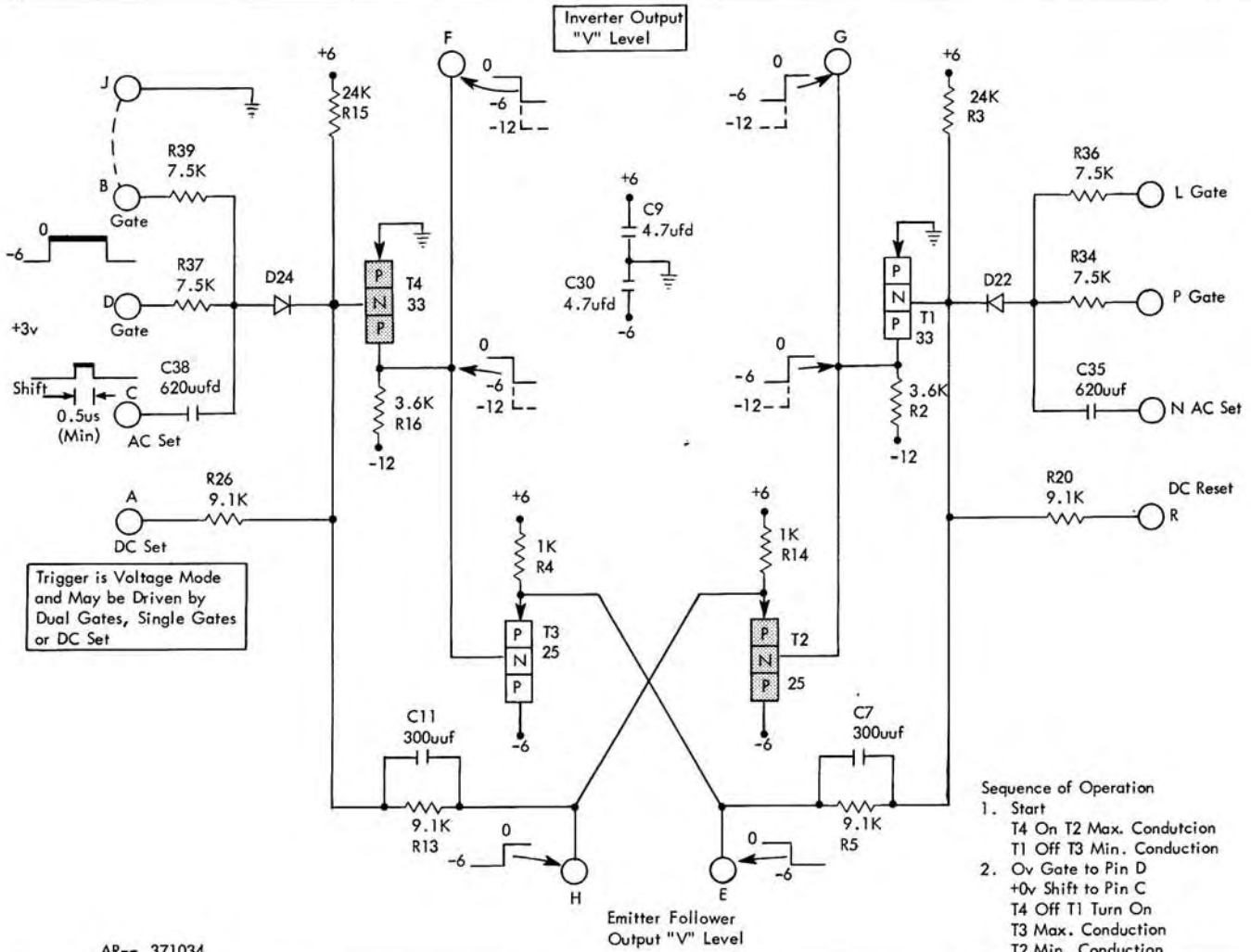


Possible Logic Block Configurations



AR-- 371034

Input Levels				Output Levels				Delays (Usec)						
AC Set		Gate		DC Set		Emitter Follower		Inverter		Trigger		Gate Condition Time		
Min	Max	Min	Max	Min	Max	Min	Max	Min	Max	Min	Max	Min	Max	
		-0.2	+0.35	-0.2	0	-0.2	+0.35	-0.2	0	Turn On	.30	.80	3.0	7.5
		-5.56	-12.48	-5.56	-12.48	-5.56	-6.24	-5.56	-6.24	Turn Off	.14	.54	-	-