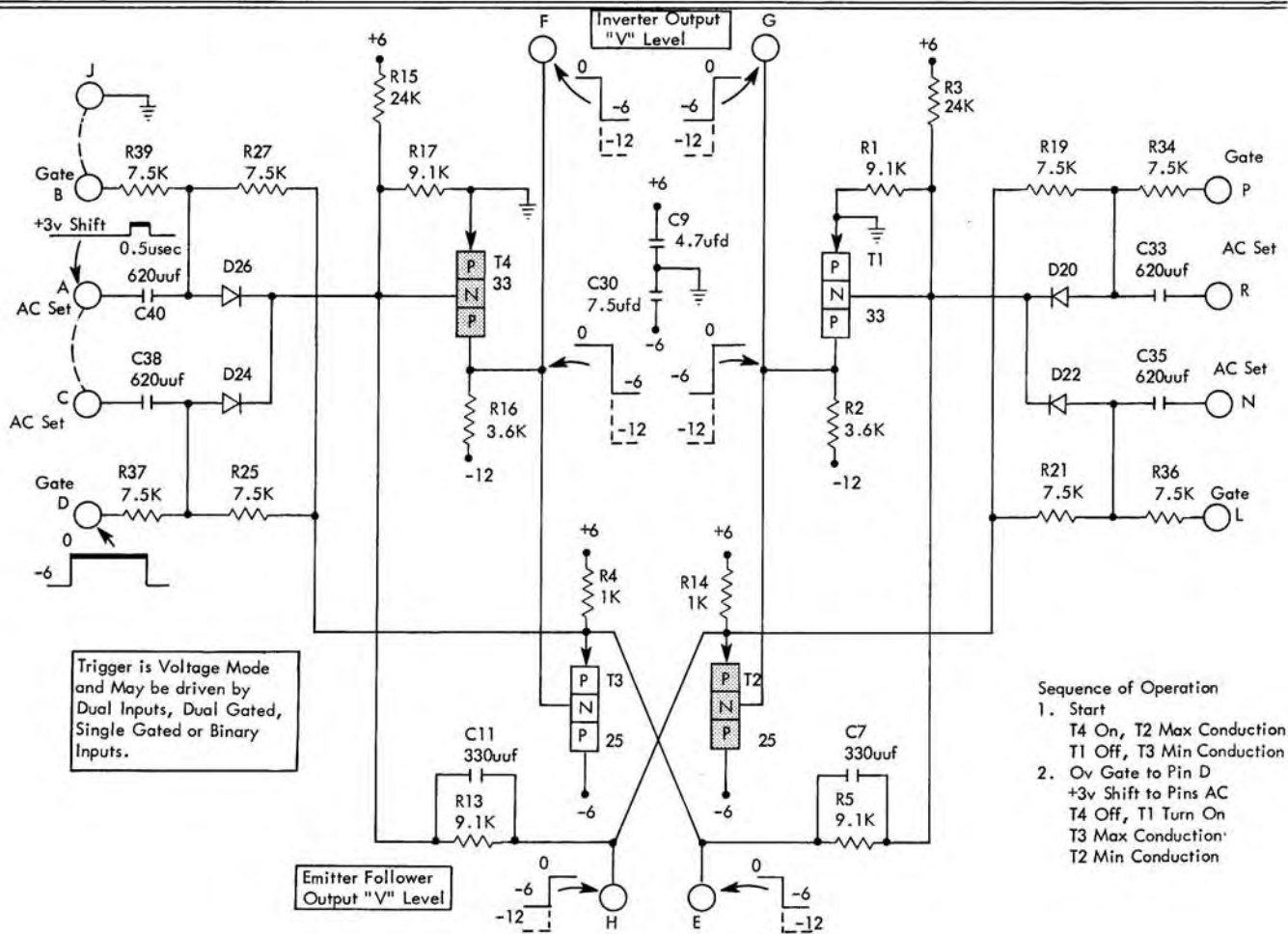


Possible Logic Block Configurations



- Sequence of Operation
1. Start
T4 On, T2 Max Conduction
T1 Off, T3 Min Conduction
 2. Ov Gate to Pin D
+3v Shift to Pins AC
T4 Off, T1 Turn On
T3 Max Conduction
T2 Min Conduction

AS-- 371035

Input Levels		Output Levels				Delays (usec)		Trigger		Gate Condition Time	
AC Sets	Gates	Emitter Follower		Inverter		Turn On	Turn Off	Min	Max	Min	Max
Min	Max	Min	Max	Min	Max						
2.6v	3.8v	-0.20	+0.35	-0.2	+0.35	-0.2	0	.10	.30	3.0	6.0
		-5.56	-12.48	-5.56	-6.24	-5.56	-6.24	.14	.54		