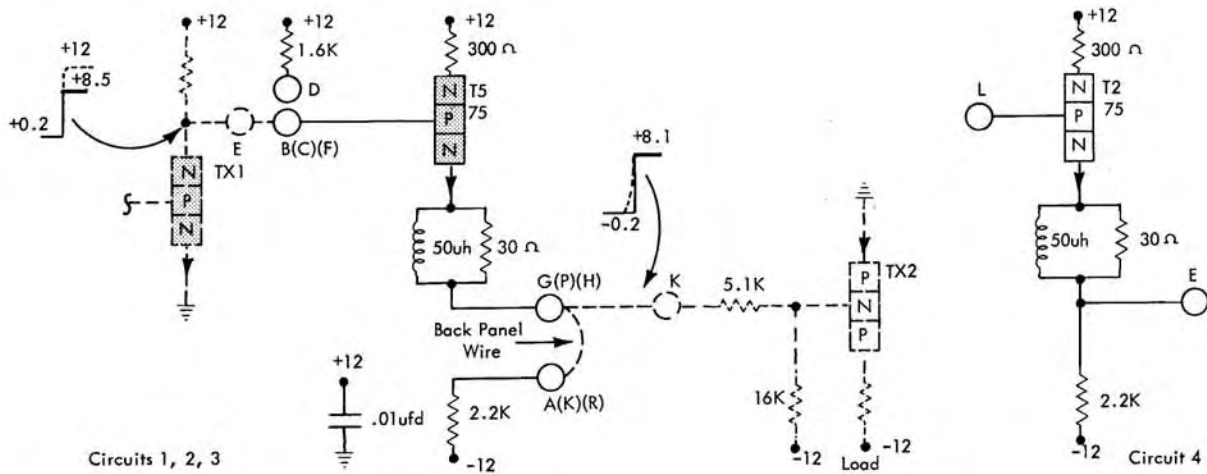
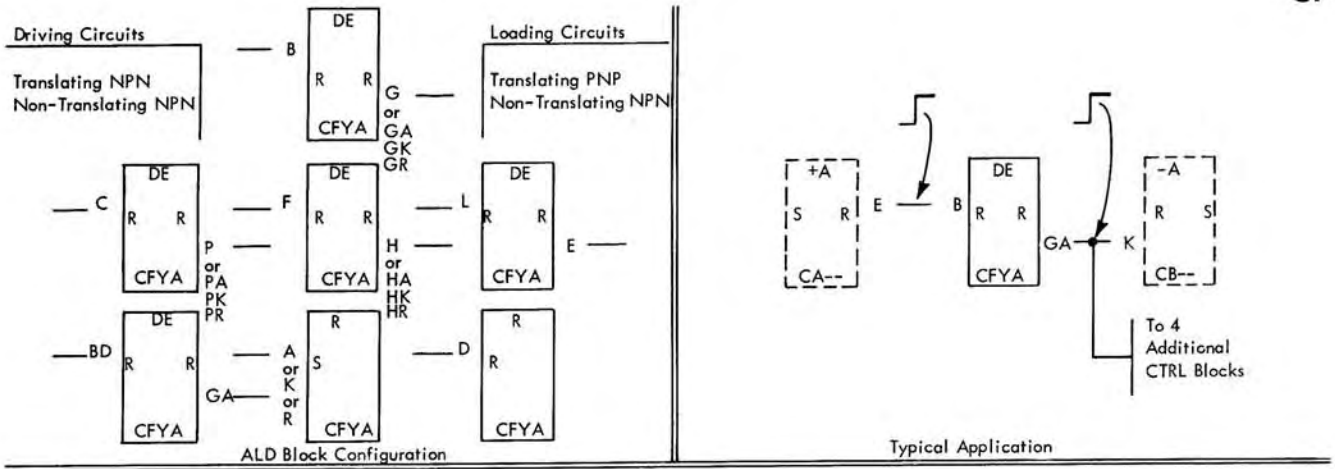


# CFYA



Card Code	Part Number	Input Voltage Levels		Maximum Output Current		Maximum Output Loading	Delays (usec)				Circuit Use
		Min	Max	Up Output	Down Output			Ctrl DE	Inv DE		
CFYA	371033	+6.39	+10.55	7.97ma	4.98ma	5 CTRL or 7 Inverter Blocks	Turn On	Min	+0.34	+0.3	DE +DEO -DEA
								Max	+1.55	+1.2	
		Turn Off	Min				+0.27	+0.65			
			Max				+2.3	+2.9			