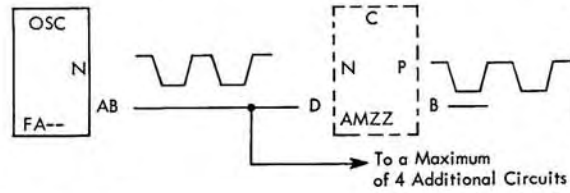
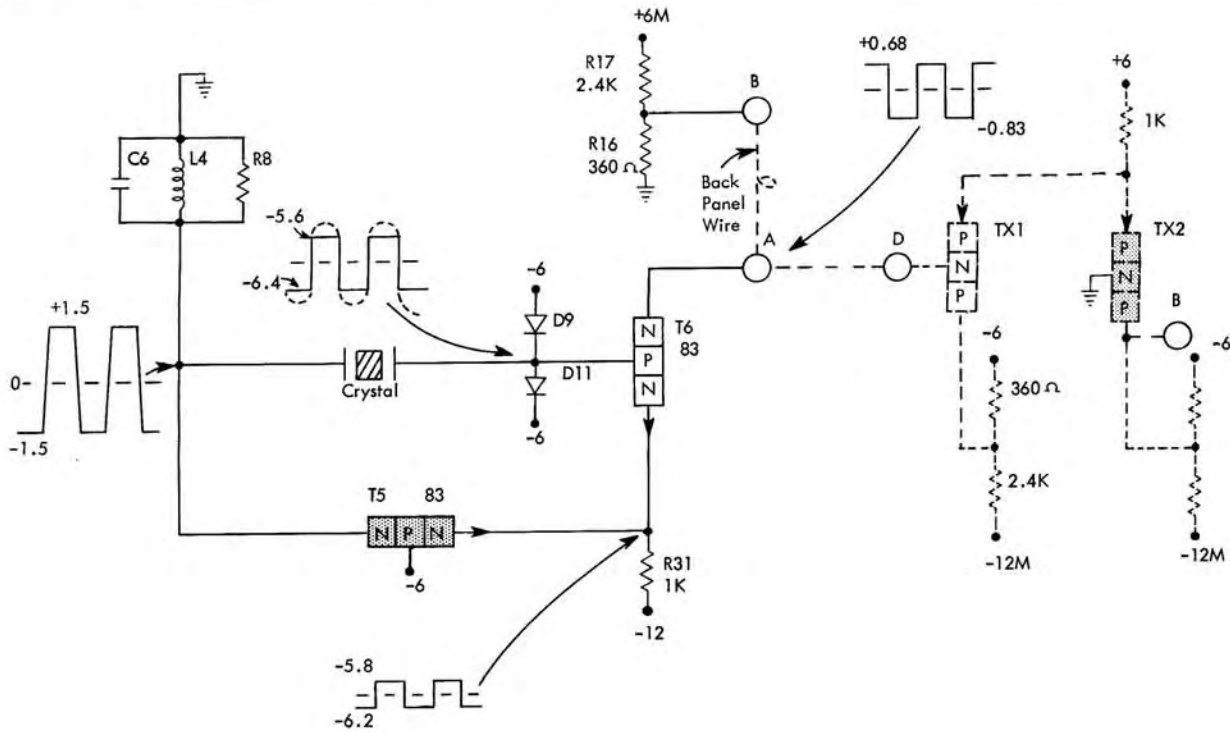


ALD Configuration



Logic Application

- FA --
- FK --
- FS --
- FT --
- GD --
- GE --
- KR --
- LH --
- RK --
- RT --



Card Code	Part Number 37----	Frequency KC	C6 uufd	L4 uh	Crystal Part No.	R8	Output Specifications	
							Output	Levels
FA--	1406	1000	150	100	491295	1.8K	Min	Max
FK--	1416	64	10,000	500	491282	1.8K		
FS--	1404	240	1500	250	491293	1.8K		
FT--	1405	360	680	250	491294	1.8K	Available Load Current Minimum Values	
GD--	1455	125	2500	500	492454	1.8K	On	Off
GE--	1456	500	270	250	492455	1.8K	1.33ma	0.82ma
KR--	1457	720	125	250	492456	1.8K	Rise Time	Fall Time
LH--	1626	667	125	250	492567	1.8K	0.8us	0.8us
RK--	1788	363.4	680	250	492567	1.8K		
RT--	1785	75	6800	500	492673	1.8K		