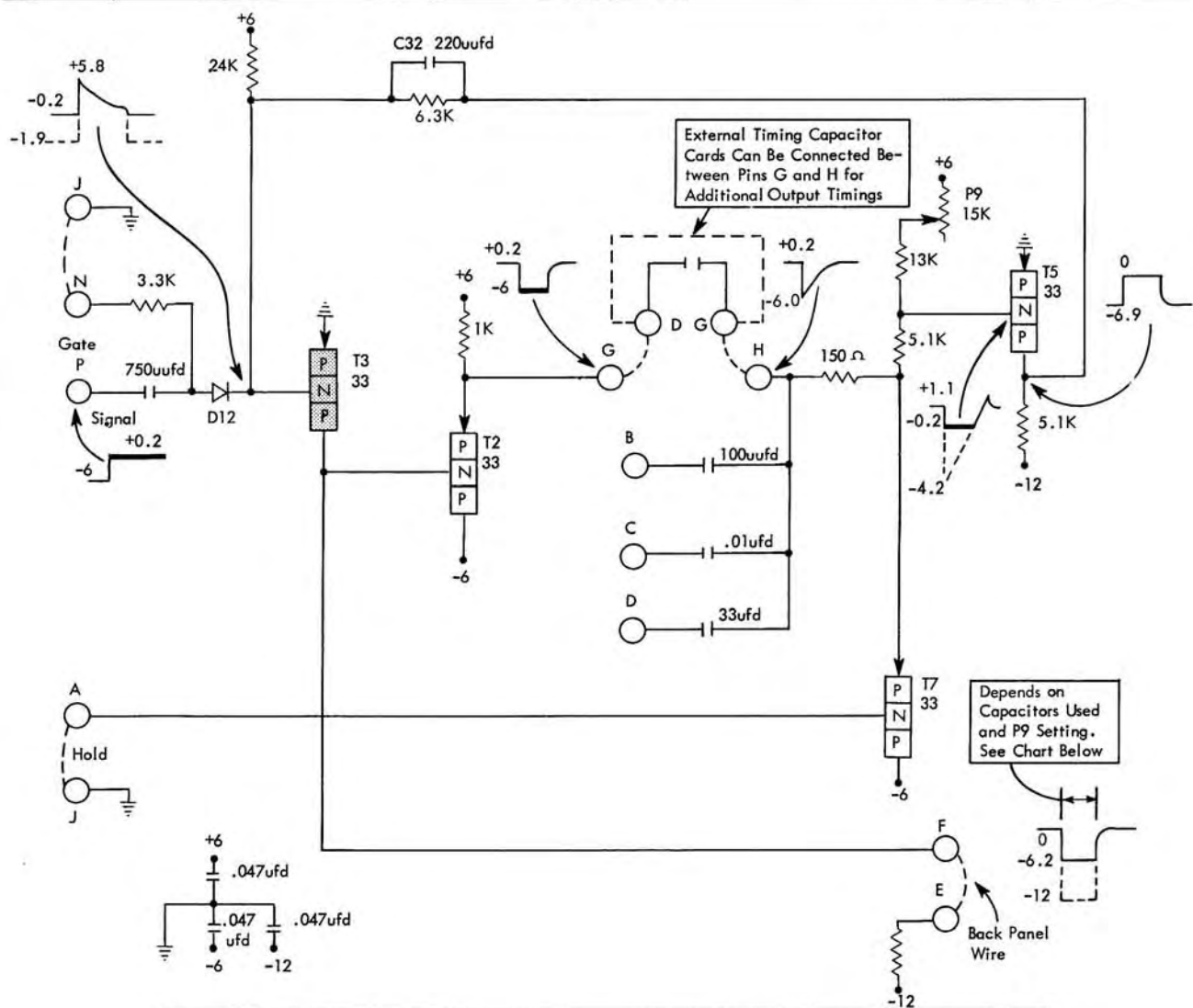
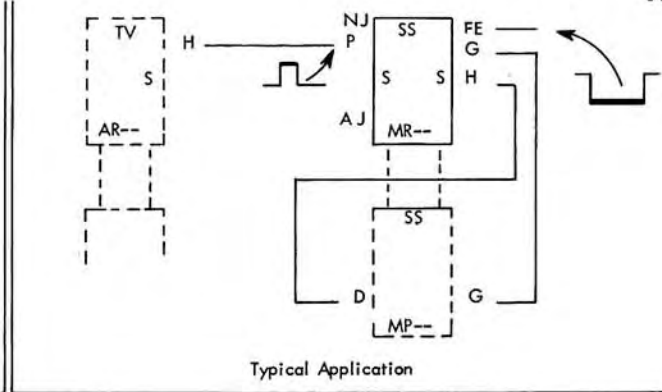
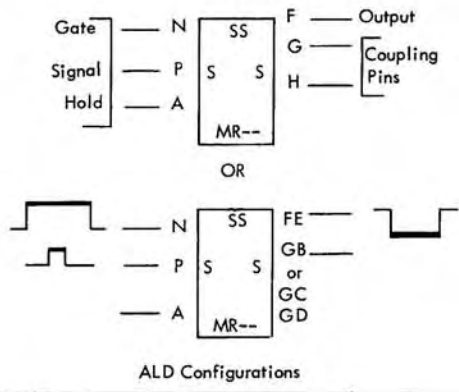


MR--



Card Code	Part Number	Input Requirements		Output		Output Pulse Duration			
		Signal Input	Gate, Hold Inputs	Voltage Level		Connect Pin G to	Output Pulse Duration (msec)		
			Min	Max	Min	Max	From	To	
MR--	371623		-0.2	+0.2	-0.2	0	Pin C	.0457	.0812
			-5.56	+5.56 Depends on Driving Circuit	-5.56	-6.54	Pin D	160.0	215.0
							Pin B	452.0	735.0
							Pin B and D	610.0	960.0