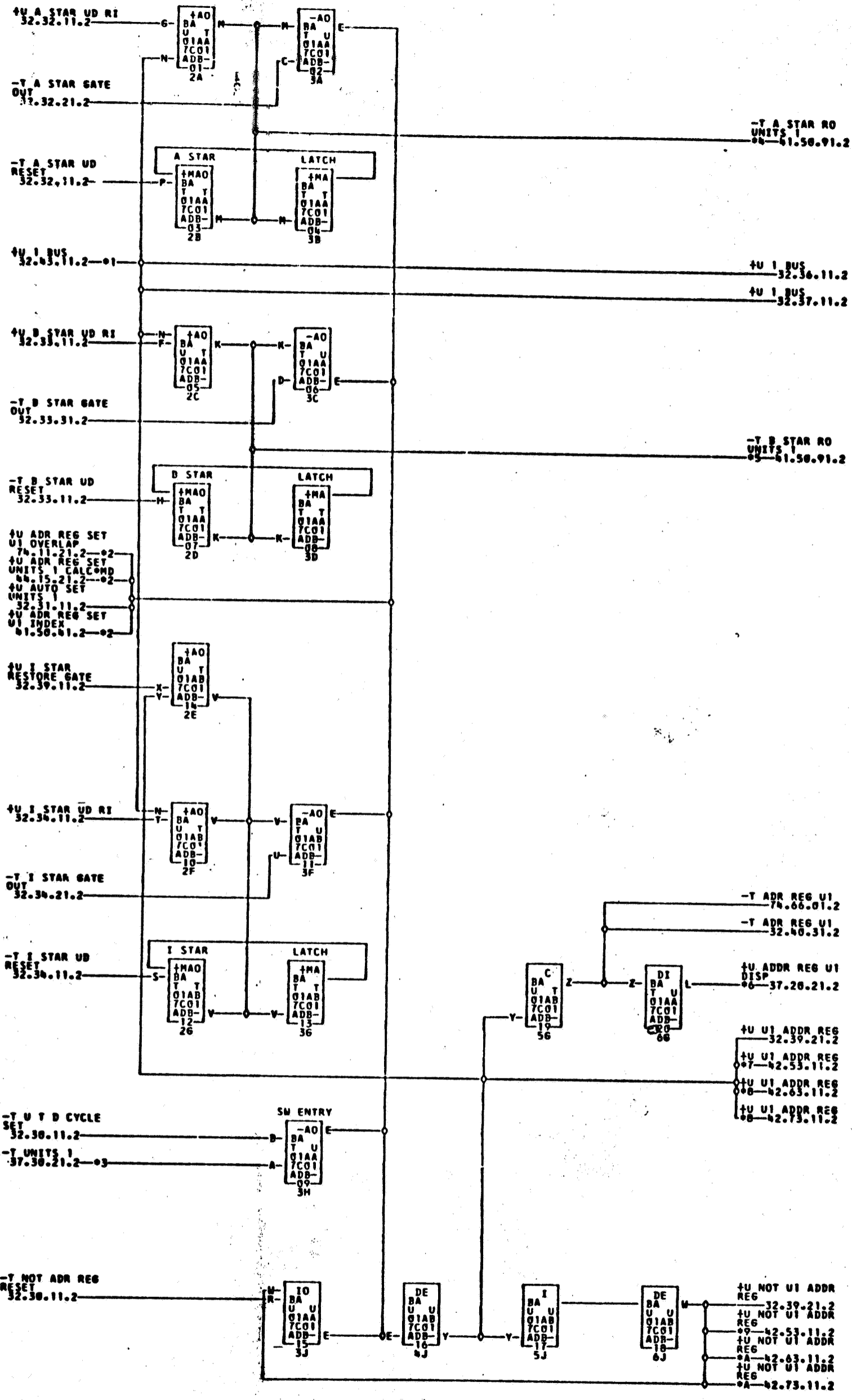


28.5.62

A 1344

12.3.63

TA 1775



- 01-01A7B26A 02-01A7A24A 03-01A7E26A 04-01A7F24C 05-02A9B05D 06-02B6D01C
- 05-01A7B25D 06-02A9B07C 07-02B6B01D 08-01A7C24A 08-01A2A01A 07-01A7C25A
- 06-01A7E21A 08-01A7C23A 09-06B7A01A 09-01A7D24A 09-01A7E02A 0A-01A7D23A

COMMENTS

TAG DATE	E.C.NO.	TAG DATE	E.C.NO.	TAG DATE	E.C.NO.	TAG DATE	E.C.NO.
A 12-20-61	1122696	B 12-14-62	116749F				

724580