

0724502

STORAGE ADDRESS UN LOCATION C03-D03

1901 BA 32.35.31.2

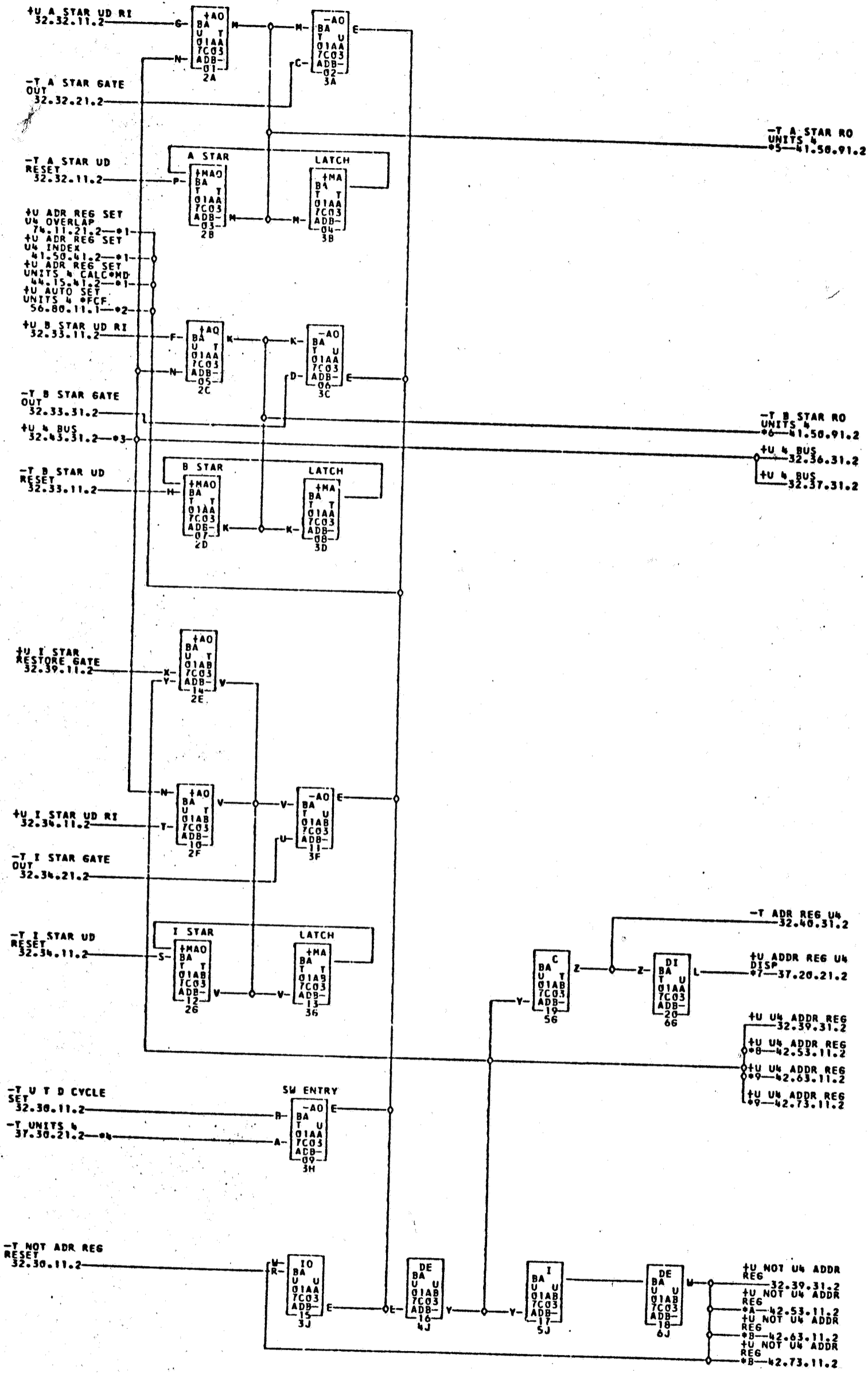
TAG DATE

A 28.5.62

TA 1344

B 12.3.63

TA 1775



- \*1-01A7A24C      \*2-01A7B23P      \*3-01A7B24C      \*4-01A7E26C      \*5-01A7F24J      \*6-02A9B17D
- 02B6D81J      \*6-01A7B25K      \*7-02A9B19C      \*5-02B6B01K      \*7-01A7C24C      \*7-01A2A01C
- \*8-01A7C25C      \*9-01A1E01C      \*8-01A7C23C      \*6-06B7A01C      \*A-01A7D24C      \*8-01A1E02C
- \*9-01A7D23C

COMMENTS

TAG DATE	E.C.NO.	TAG DATE	E.C.NO.	TAG DATE	E.C.NO.	TAG DATE	E.C.NO.
A 12-20-61	1122696	B 12-14-62	116749F				

724502