

150

0729110

ADDER CARRY AND OVERFLOW

1401 BA

34.31.15.2

TAG DATE

D5.3.63

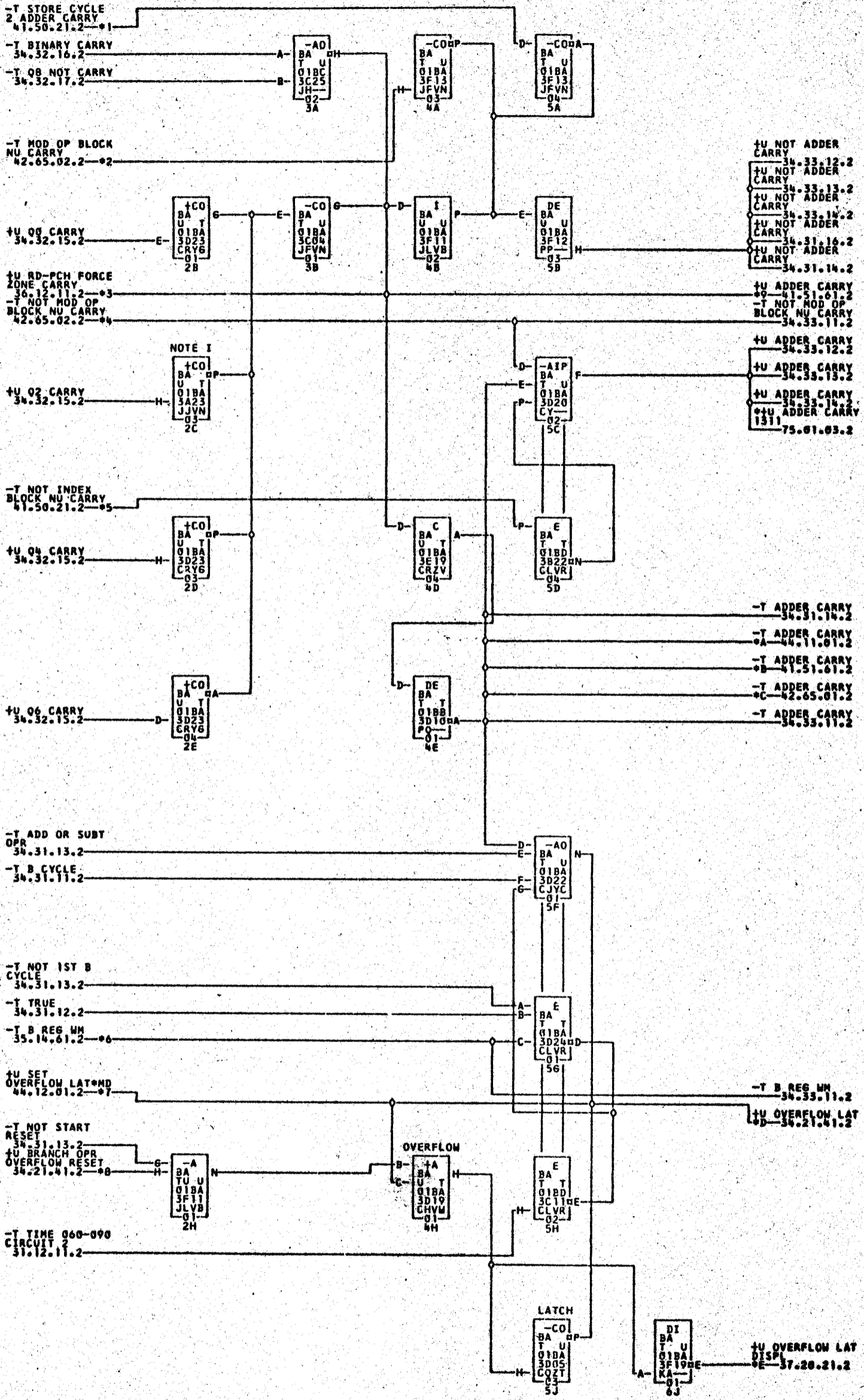
TA 1771A

E 16.4.63

TA 1815A

* 17.9.63

TA 1815J



- *1-01B3D02K
- *2-01B3A01N
- *3-06B7A16N
- *4-01B3C03M
- *5-01B3F03M
- *6-02B0F4C
- *7-01B3D03N
- *8-02B7B02C
- *9-01B3D03N
- *A-01B6F01N
- *B-01B3E04N
- *C-01B3E04N
- *D-01B3E04N
- *E-01B3F02A
- *F-01B3F03M
- *G-01B3B03M
- *H-02B6C02N
- *I-01A2A18A
- *J-02B0F4C
- *K-01B3D03N
- *L-01B3D03N

NOTE 1 A230, A240, A250, AND A260 ARE WIRED TO THE INSTALLED 16 M. NOTE ASTERISK PRECEDING SIGNAL INDICATES DIRECT CABLE EXPANSION

TAG DATE: A 12-18-63 112122 TAG DATE: B 04-26-62 114132 TAG DATE: C 07-17-62 114136 TAG DATE: D 12-10-62 116190

1815 J 729110