

0729115

A REGISTER TRUE COMPLEMENT

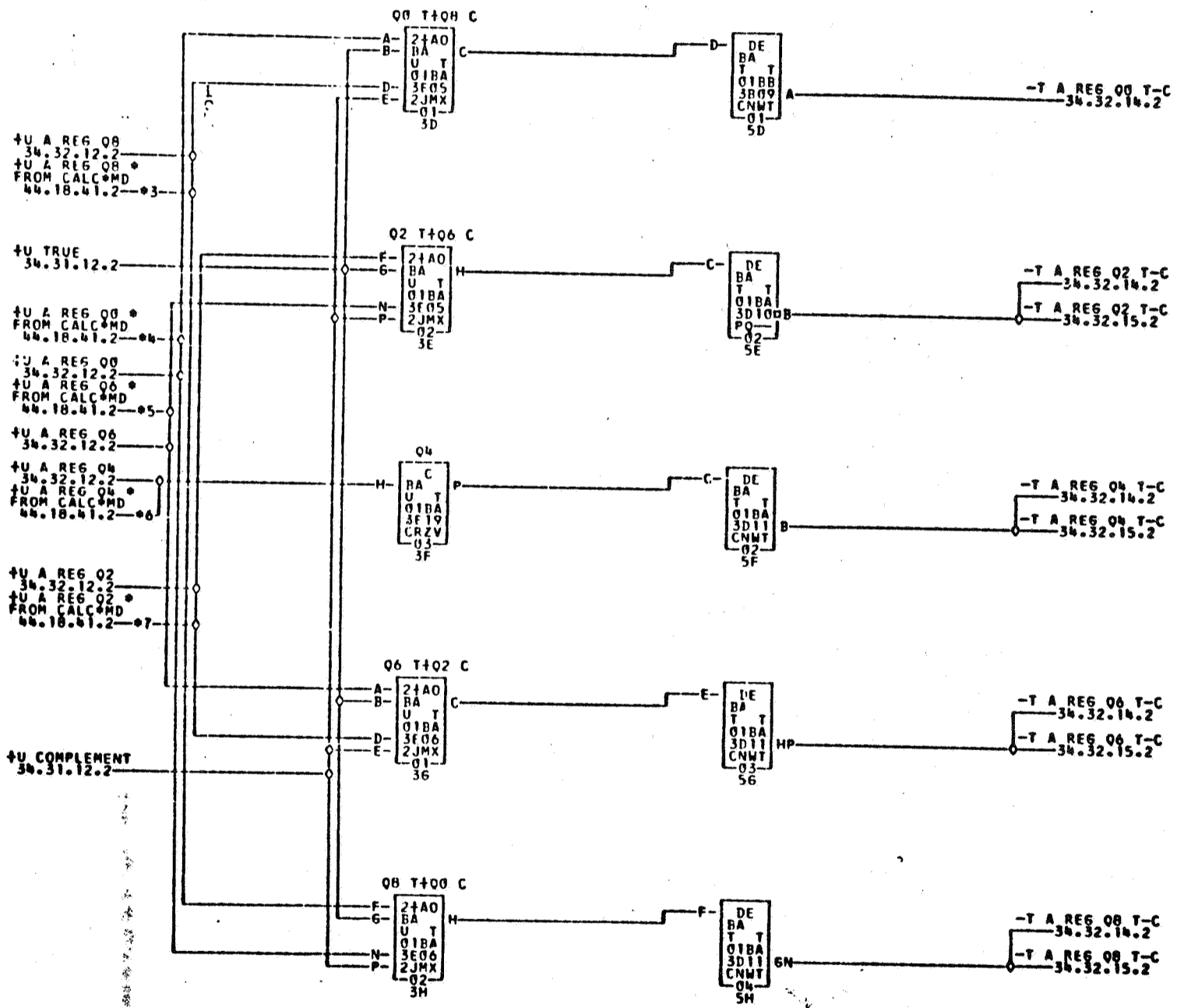
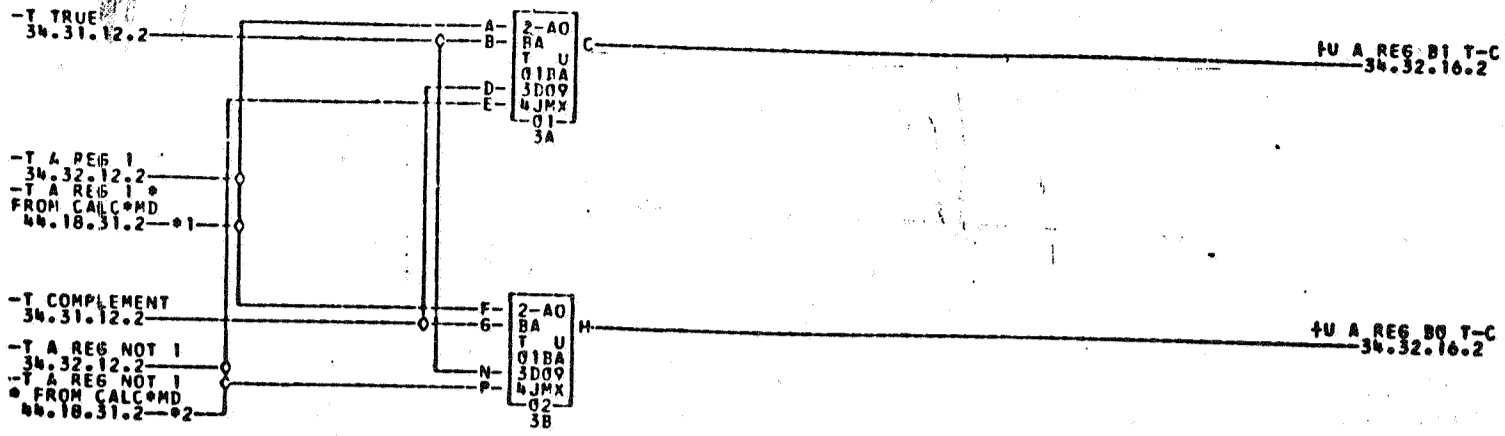
1401 BA

34.32.13.2

TAG DATE

C 7.2.63
TA 1713A

D 5.3.63
TA 1771A



- *1-01B3C02F
- *2-01B3C026
- *3-01B3C02E
- *4-01B3C02A
- *5-01B3C02D
- *6-01B3C02C

729115