

0720753

B REG INHIBIT CONT SECT 2

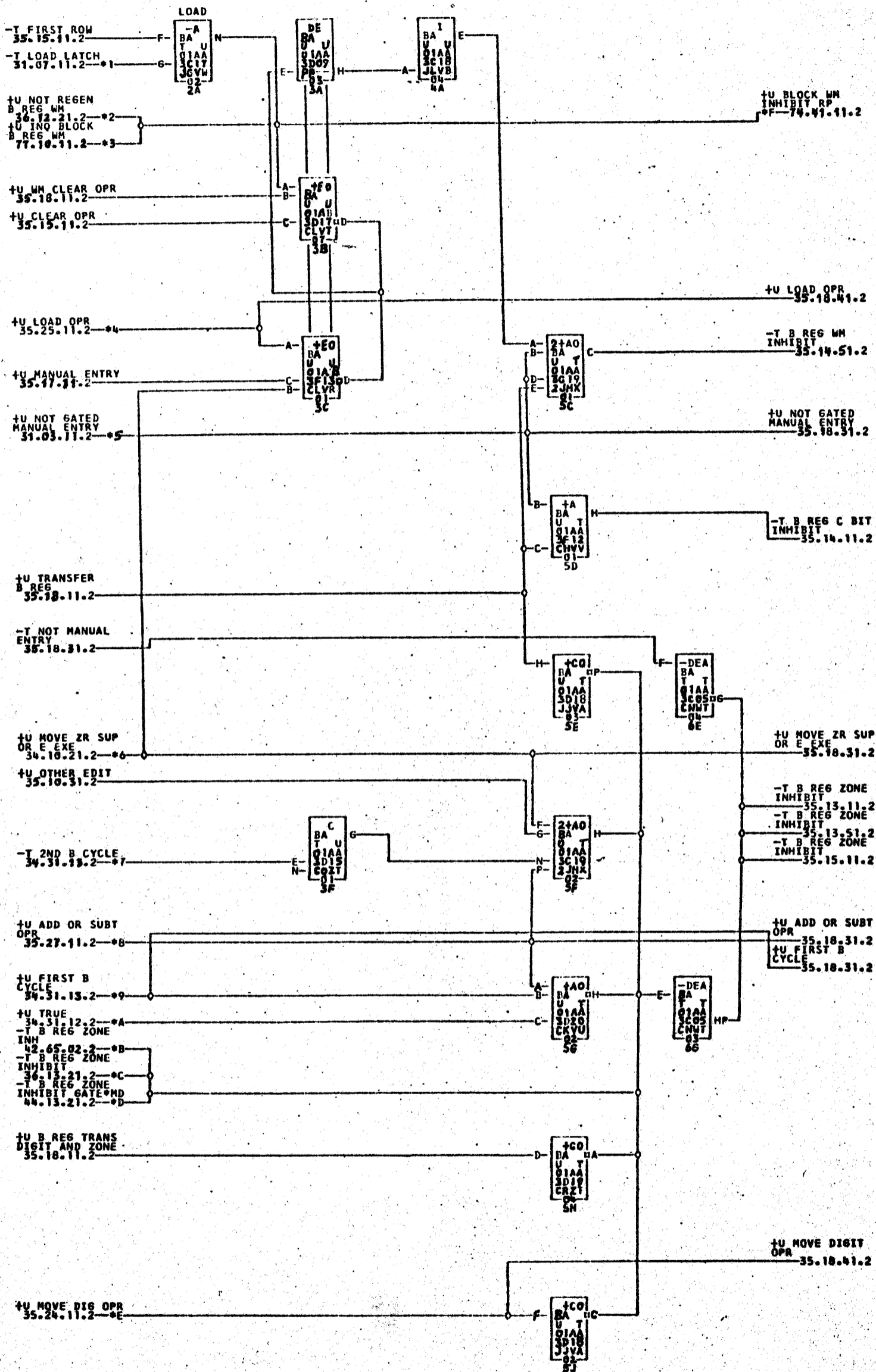
1401 BA

35.18.21.2

TAG DATE

A 5.4.62
TA 1233B

B 5.3.63
TA 1771A



*1-01A3D24G
*2-01A3A26E
*3-01A3C26L
*4-01A3D2AA

*5-01A3D24L
*6-01A3D24H
*7-01A3C26H
*8-01B2D63A

*9-01B2A00V
*A-01A3A26H
*B-01A3A26H
*C-01A3A26H
*D-01A3A26H
*E-01A3A26H

*F-01B2F050
*G-01A3D24G
*H-01A3A26H
*I-01A3A26H
*J-01A3A26H
*K-01A3A26H
*L-01A3A26H
*M-01A3A26H
*N-01A3A26H
*O-01A3A26H
*P-01A3A26H
*Q-01A3A26H
*R-01A3A26H
*S-01A3A26H
*T-01A3A26H
*U-01A3A26H
*V-01A3A26H
*W-01A3A26H
*X-01A3A26H
*Y-01A3A26H
*Z-01A3A26H

*1-01B2D64K
*2-01A3C24P
*3-01A3E23H
*4-02B1E01M

*5-01A3D25K
*6-01A3B24E
*7-01A3B24M

COMMENTS

TAG DATE E.C.NO. A 12-15-61 115530

TAG DATE E.C.NO. B 12-16-62 116177

TAG DATE E.C.NO.

TAG DATE E.C.NO.

720753
B 1771A