

8722346

U5-U9 HAMMER DRIVE

1401 BA

36.38.11.2

TAG DATE

+U UNITS RING
U5*PF
46.37.51.2-#1
+U UNITS DECODE
U5
36.38.51.2-#1

+U UNITS RING
U6*PF
46.37.51.2-#2
+U UNITS DECODE
U6
36.38.51.2-#2

+U COMP EQUAL
SAMPLE
36.37.61.2

+U UNITS DECODE
U7
36.38.51.2-#3
+U UNITS RING
U7*PF
46.37.51.2-#3

+U UNITS DECODE
U8
36.38.51.2-#4
+U UNITS RING
U8*PF
46.37.51.2-#4

+U UNITS DECODE
U9
36.38.51.2-#5
+U UNITS RING
U9*PF
46.37.51.2-#5

*1-01B5A01F

*2-01B5A01G

*3-01B5A01H

*4-01B5A01I

*5-01B5A01P

COMMENTS
ALL +U UNITS RING SIGNALS ARE FLOATING
WITHOUT PRINT STORAGE. ALL +U UNITS
DECODE SIGNALS ARE FLOATING WITH PRINT
STORAGE.
NOTE 1- DRIVE LINES CLAMPED TO GRD.

TAG DATE E.C.NO.
A 10-01-60 189581J

TAG DATE E.C.NO.
B 12-10-62 110749A

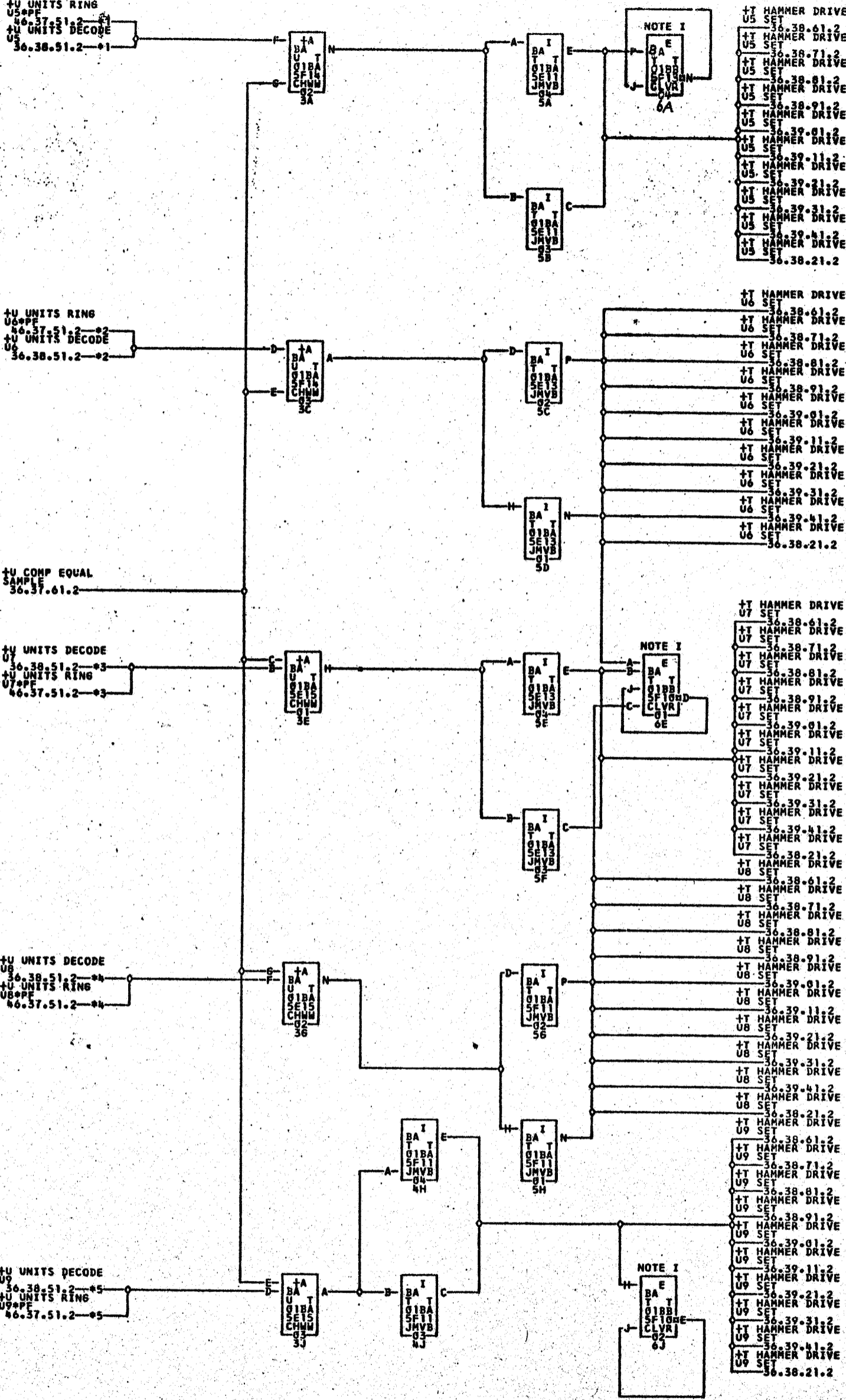
TAG DATE E.C.NO.

TAG DATE E.C.NO.

A 8.4.61
TA 37597A

B 12.3.63
TA 1775

722346
1775



+