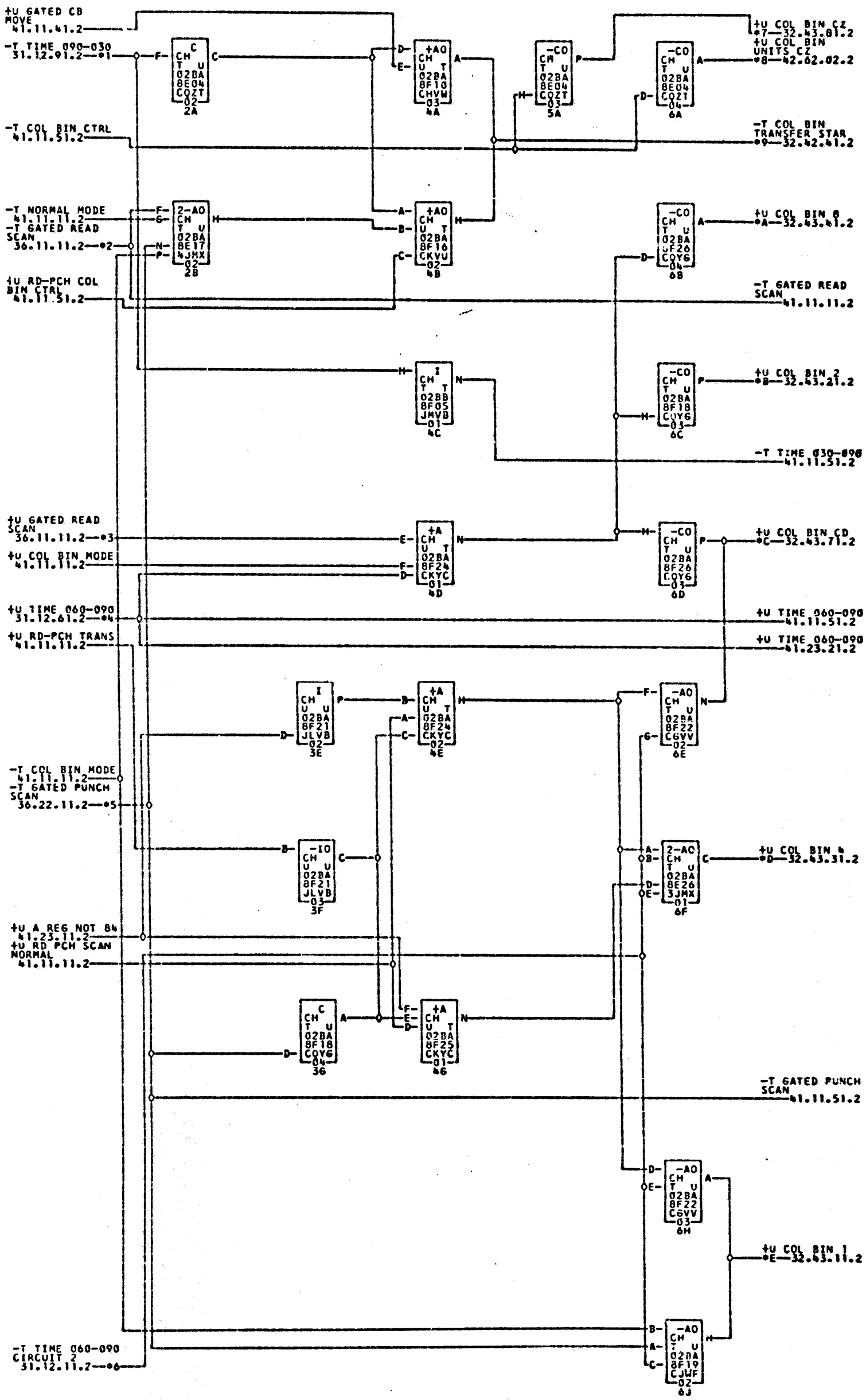


0723638

RD-PCH COL BIN MAR CONTROL

1401 CM 41.11.31.2

TAG DATE



B 19.12.61
 TA 1050A
 C 17.4.62
 TA 1282

- *1-0288E03E *2-0288F02K *3-0288F02G *4-0288E03B *5-0288F02J *6-0288E03H
- *7-0288E03A *8-0288F01G *9-01A8D24A *A-0288F03R *10-02A9C11G *11-01A8D24R
- *B-0288F03E *C-02A9B09G *D-01A8D24E *E-0288F03J *12-02A9B17G *13-01A8D24J
- *F-0288F03K *G-02A9B19G *H-01A8D24K *I-0288F03M *14-02A9B15G *15-01A8D24M
- *J-0288F03F *K-02A9B11G *L-01A8D24F *M-0288F03N *16-02A9D01G *17-02A9B13G
- *18-01A8D24G

COMMENTS TAG DATE E.C.NO. TAG DATE E.C.NO. TAG DATE E.C.NO. TAG DATE E.C.NO.

A 05-27-61 110320E B 10-21-61 11224G C 12-19-61 11333S

723638