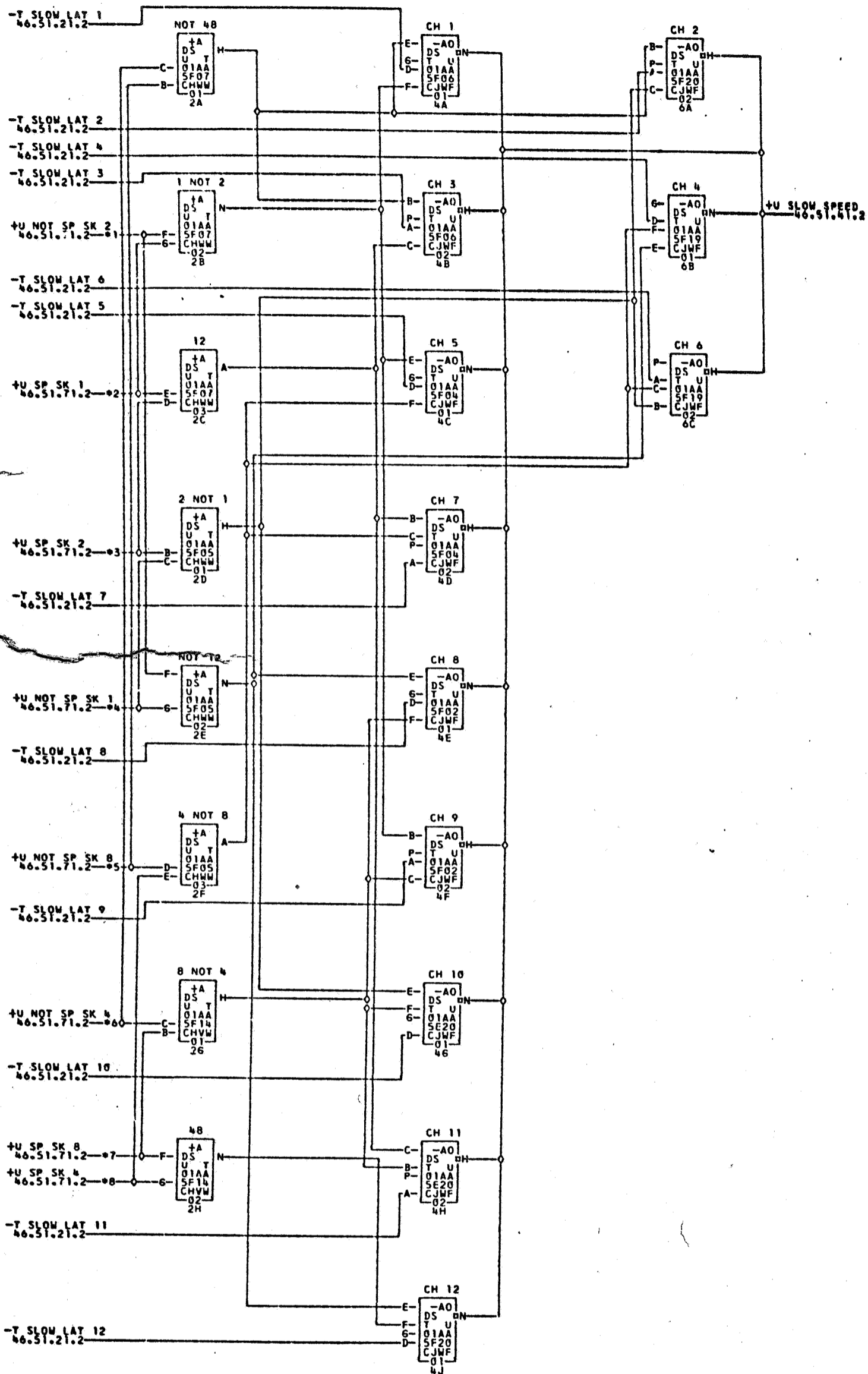


A 28.5.62
TA 1344

B 20.2.63
TA 1747



- *1-01A5B256 *2-01A5B25D *3-01A5B25C *4-01A5B25H *5-01A5B25E *6-01A5B25F
- *7-01A5B25A *8-01A5B25B

805587

COMMENTS

| TAG DATE | F.C.NO. | TAG DATE | F.C.NO. | TAG DATE | F.C.NO. | TAG DATE | F.C.NO. |
|------------|---------|------------|---------|----------|---------|----------|---------|
| A 12-06-61 | 112269D | B 12-06-62 | 116738 | | | | |