

0731921

TRANSFER PROGRAM

1401LCP

75.01.09.2

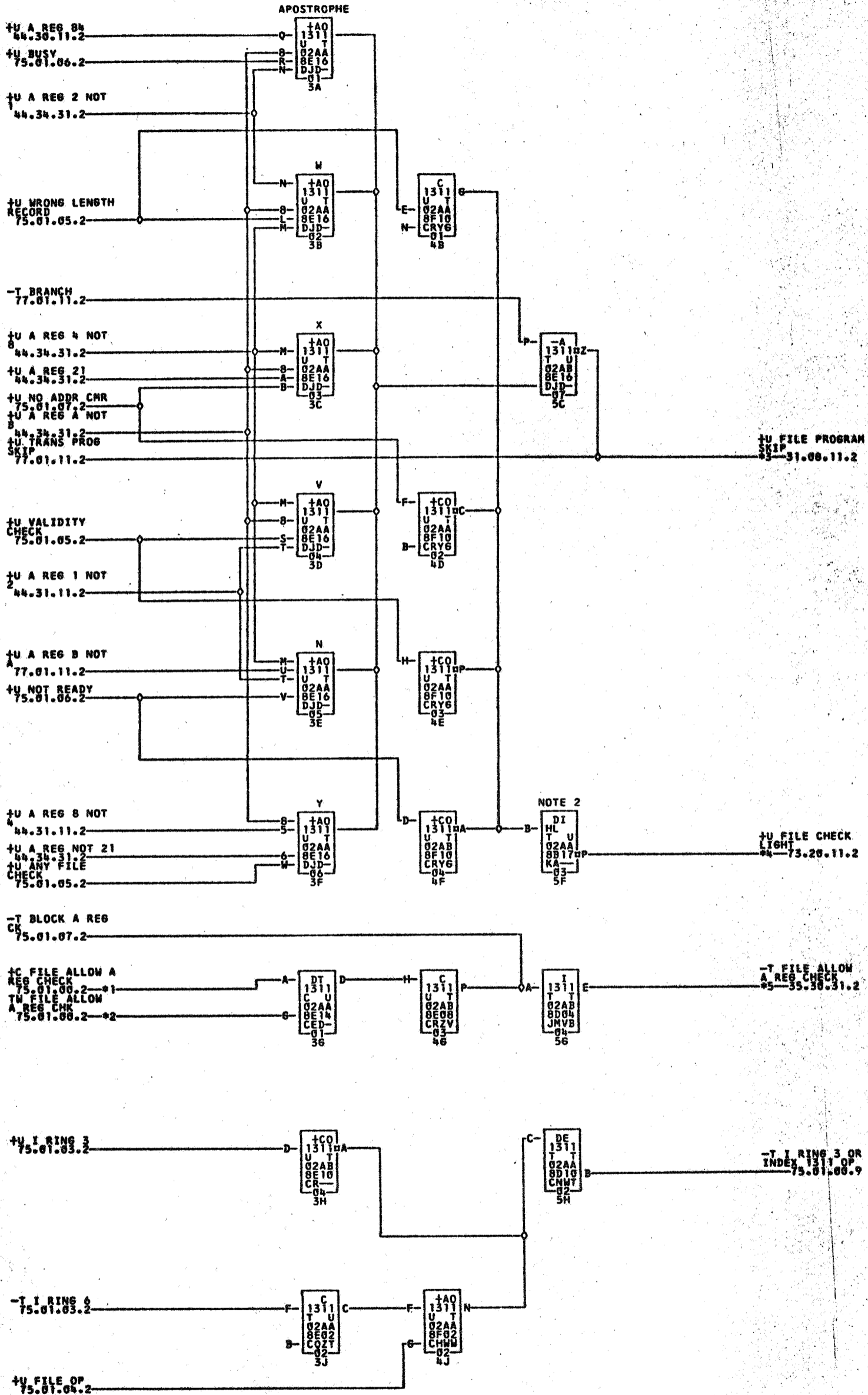
TAG DATE

A 26.2.63

TA 1740

B 21.6.63

TA 1870A



- *1-02A8E25N == 02B5C216 == 13A1XD21 *2-02A8E25P == 02B5C220 == 13A1XD26
- *3-02A8F24J == 02A8E01F == 01B2C01P *4-02A8F246 == 02A8E03A == 01A2A160
- *5-02A8D23K == 02A8B09F == 01B6C01A

NOTE2-TIE B17B TO B17L ON MACH WITH HI-LOW W-O FILE

COMMENTS

TAG DATE	E.C.NO.	TAG DATE	E.C.NO.	TAG DATE	E.C.NO.	TAG DATE	E.C.NO.
A 11-17-62	116245A	B 03-01-63	117141				

731921