

0805576

PR PAR ERROR

1401 PF

46.36.91.2

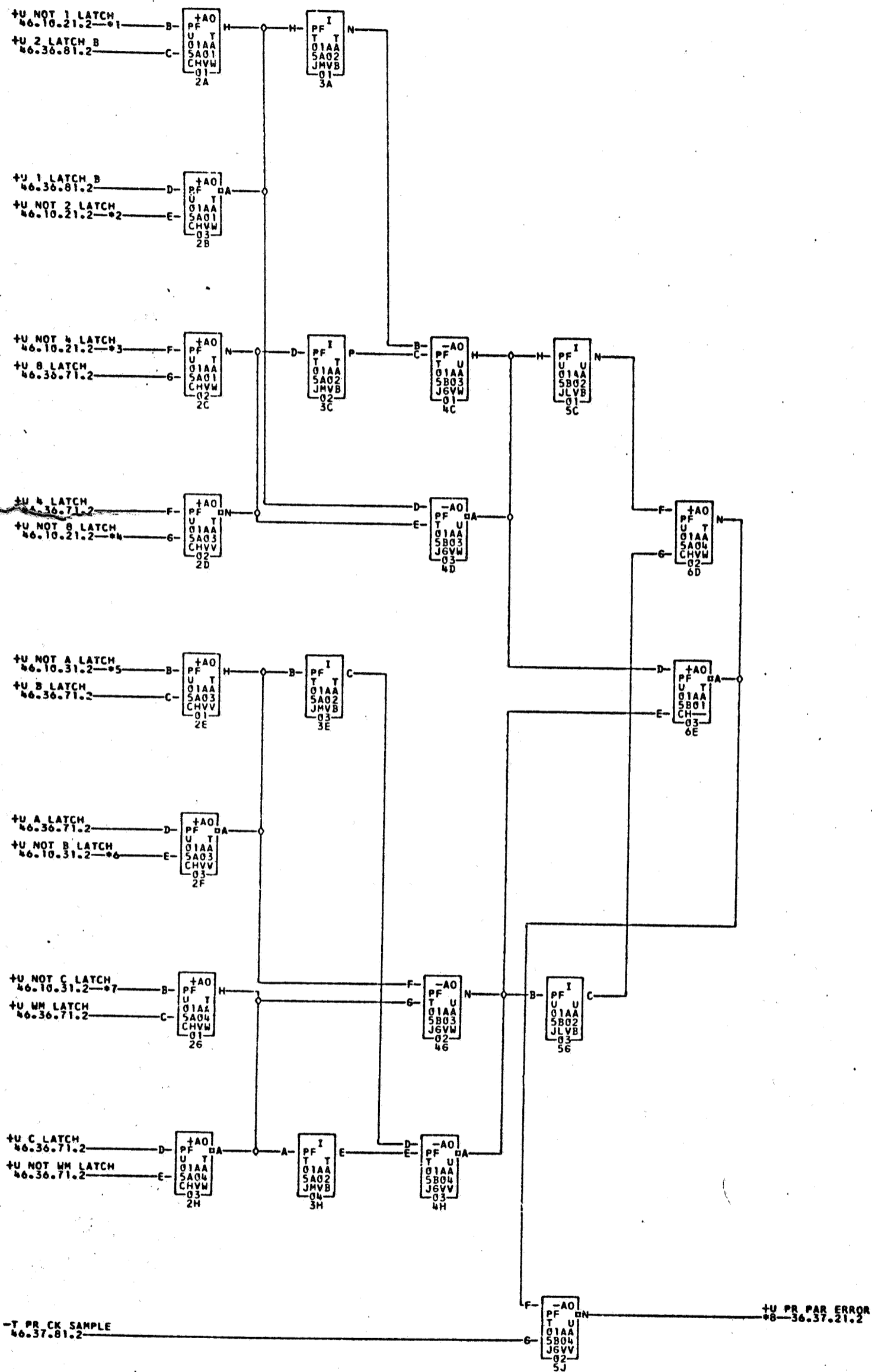
TAG DATE

B 28.5.62

TA 1344

C 20.2.63

TA 1747



*1-01A5F26A
*7-01A5F26E

*2-01A5F26B
*8-01A5B26H

*3-01A5F26C

*4-01A5F26D

*5-01A5F26E

*6-01A5F26F

COMMENTS

TAG DATE	E.C.NO.	TAG DATE	E.C.NO.	TAG DATE	E.C.NO.	TAG DATE	E.C.NO.
A 12-06-61	112269D	B 02-26-62	114606	C 12-06-62	116738		

805576