

0761263

FINAL AMPLIFIERS

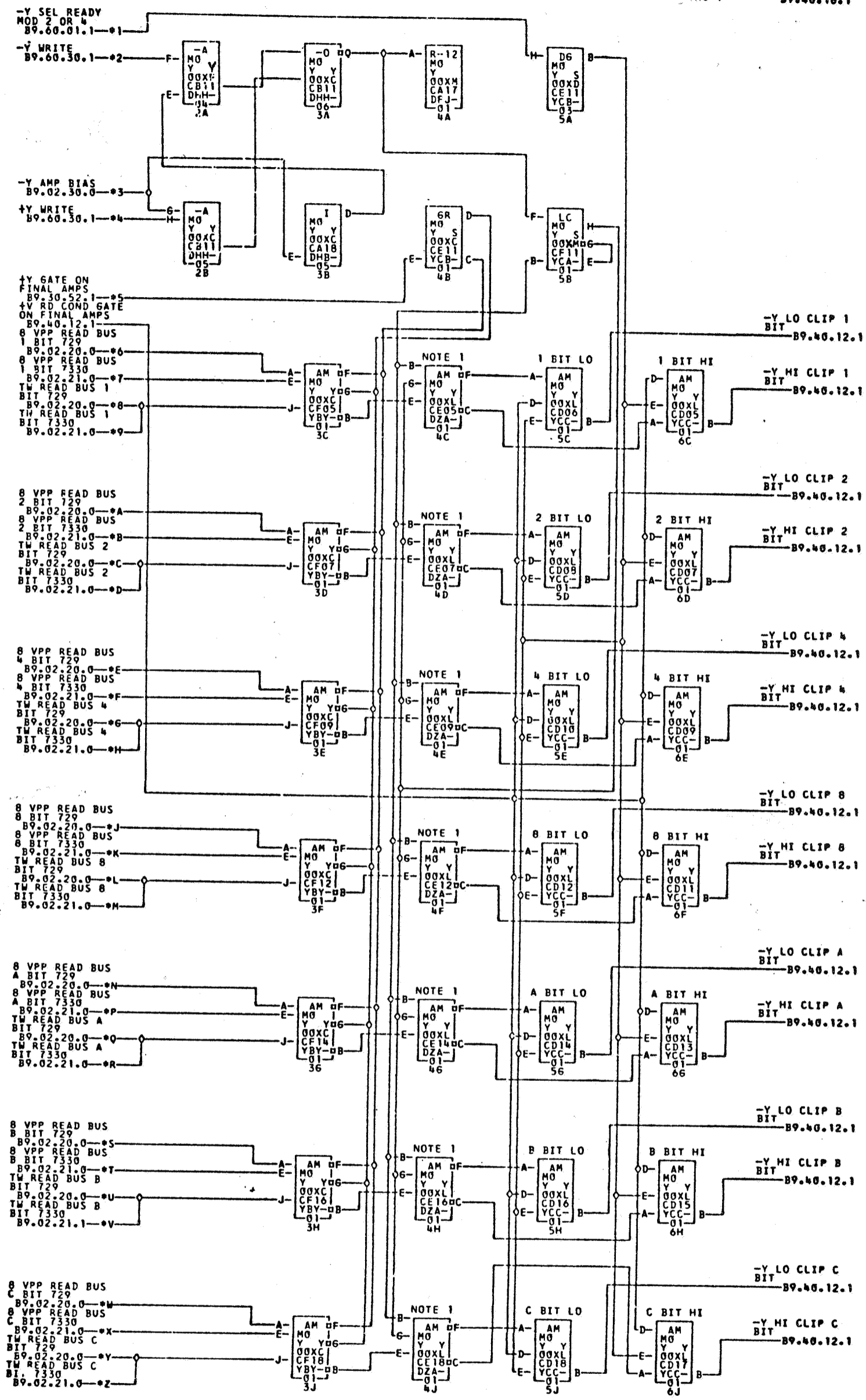
TAU 9

B9.40.10.1

TAG DATE

L 6.9.62
TA 1441B

M 12.3.63
TA 1775



- *1-00XCC02E
- *2-00XCC01N
- *3-00XCB01N
- *4-00XCC01E
- *5-00XCE02D
- *6-00XCF02B
- *7-00XCF01B
- *8-00XCF02A
- *9-00XCF01A
- *A-00XCF02D
- *B-00XCF01D
- *C-00XCF02C
- *D-00XCF01C
- *E-00XCF02F
- *F-00XCF01F
- *G-00XCF02E
- *H-00XCF01E
- *I-00XCF02H
- *J-00XCF01H
- *K-00XCF02G
- *L-00XCF01G
- *M-00XCF02K
- *N-00XCF01K
- *O-00XCF02J
- *P-00XCF01J
- *Q-00XCF02M
- *R-00XCF01I
- *S-00XCF02N
- *T-00XCF01M
- *U-00XCF02L
- *V-00XCF01L
- *X-00XCF01P
- *Y-00XCF02N
- *Z-00XCF01N

1401 1410 COMMENTS
 00XC 02B 14D6
 NOTE 1 YJG- OR ASU- CARD MAY BE USED
 FOR DZA EXCEPT WHEN 729 MOD V
 IS ATTACHED.

TAG DATE	E.C.NO.	TAG DATE	E.C.NO.	TAG DATE	E.C.NO.	TAG DATE	E.C.NO.
A 11-16-60	109350E	B 12-14-60	109355	C 01-05-61	109364	D 01-23-61	109385
E 02-13-61	109404	F 03-29-61	110435	G 04-12-61	110440	H 05-09-61	10444
J 05-23-61	110447	K 10-19-61	112238	L 06-25-62	114152	M 12-14-62	116749D

761263