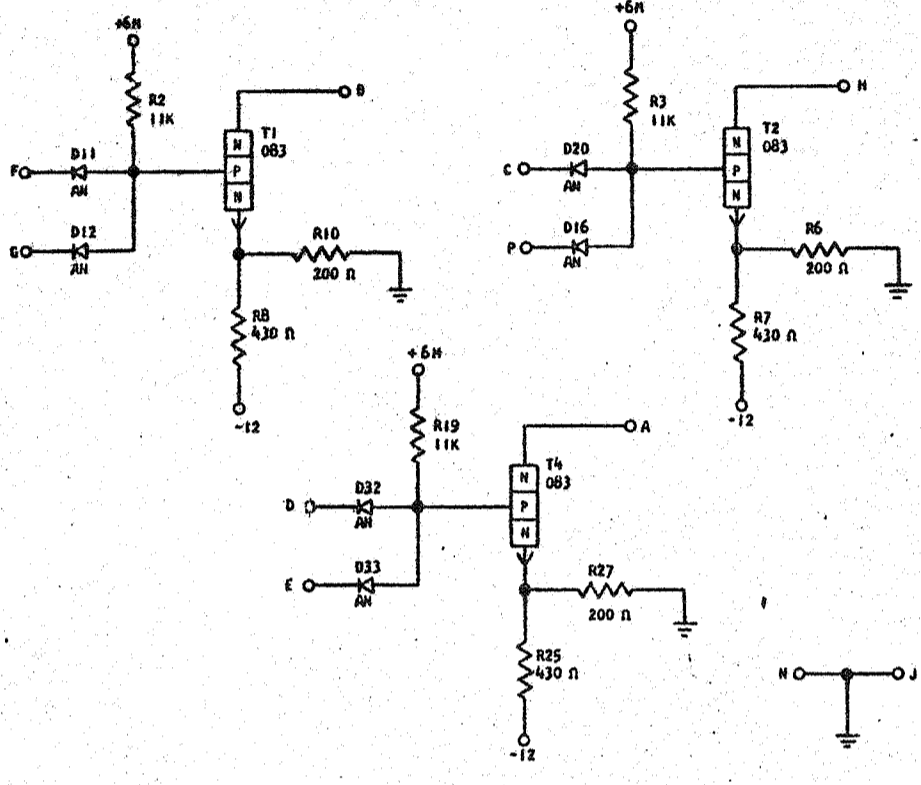
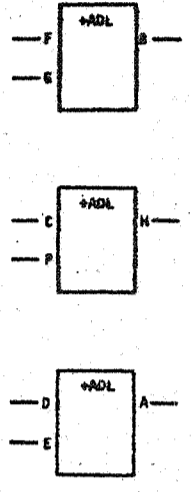


729901

CARD CODE 729901
6J XD

REFERENCE DRAWING
SEE PRODUCTION DRAWING 370089

CTDL STANDARD CABLE DRIVER

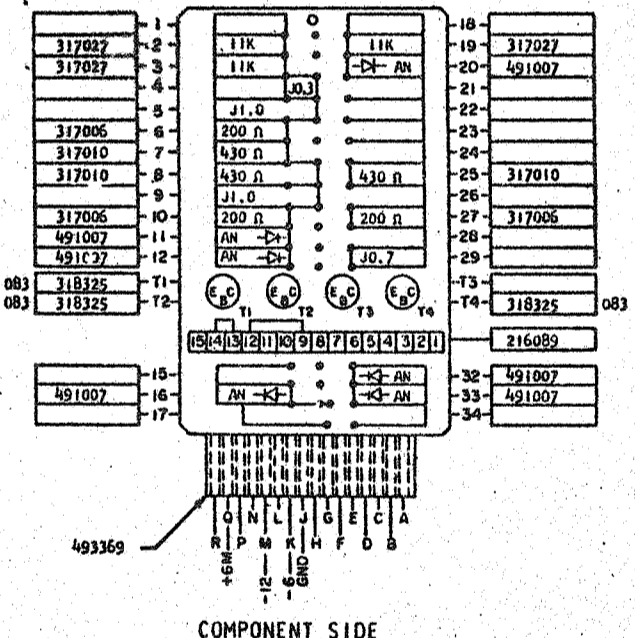


- SEQUENCE OF OPERATION**
1. ALL INPUTS UP TRANSISTOR ON OUTPUT DOWN
 2. ANY INPUT DOWN TRANSISTOR OFF OUTPUT UP

RIMS	SIGNAL NAME	WAVE SHAPE	LEVELS		
			UP	MIN	MAX
F, C, D	U INPUT	[Waveform]	UP	-0.98	0.24
G, P, E	U INPUT	[Waveform]	UP	-0.98	0.24
B, H, A	N OUTPUT	[Waveform]	UP		
N, J	GROUND	[Waveform]	UP		
			DOWN	-1.25	-2.66

DELAY - NSEC

	MINIMUM	MAXIMUM
TURN ON	455	652
TURN OFF	48	94



CIRCUIT AND PACKAGING STANDARD

APPROVAL	DATE
ABC	4-2-62

INTERNATIONAL BUSINESS MACHINES CORP.				DATE	CHANGE NO.	APPROVAL	DATE	CHANGE NO.	APPROVAL	DEVELOPMENT NO.
NAME CARD ASM TSTR-CTDL DRIVER				-62	115599					729901
DESIGN	RQ	3-1-62	SCALE	NONE						
CHECK	WH	3-1-62	DRAW	LEG 3-17-62						
APPRO			CHGDR							

