

729818

STANDARDS CODE

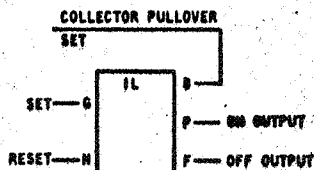
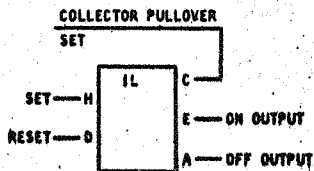
CARD CODE 729818

CEK-

REFERENCE DRAWING

SEE PRODUCTION DRAWING 370143

CTDL PNP - INVERTER LATCH



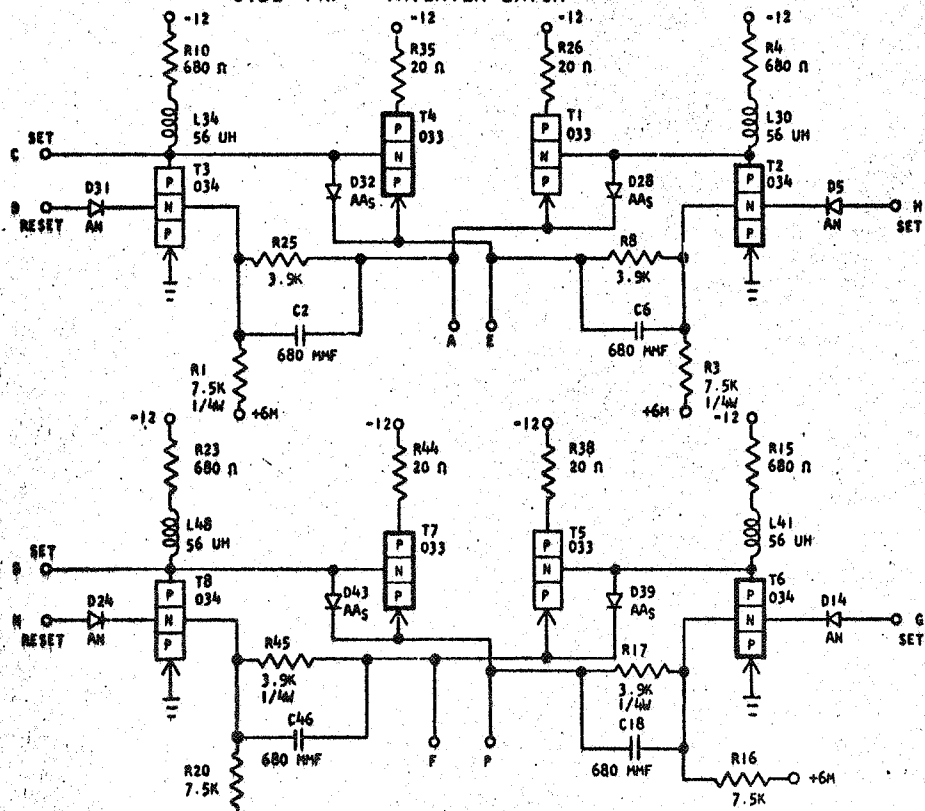
SEQUENCE OF OPERATION

1. T2 & T4 ON T1 & T3 OFF
2. 0V SET AT H OR C TURNS T2 OFF AND T1 ON  
T3 TURNS ON AND T4 TURNS OFF
3. 6V RESET AT D RETURNS CIRCUIT TO CONDITION (1)

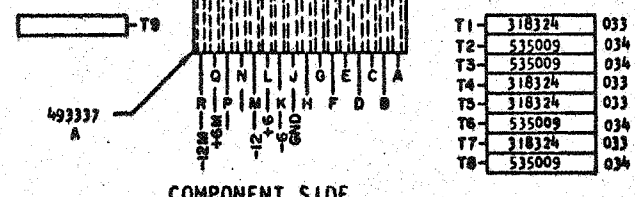
PINS	SIGNAL NAME	WAVE SHAPE	LEVELS	
			MIN	MAX
G,H	T SET	[Waveform]	UP 1.44	6.24
D,H	T RESET	[Waveform]	UP 1.44	6.24
E,F	U ON OUTPUT	[Waveform]	UP -1.24	.24
A,F	U OFF OUTPUT	[Waveform]	DOWN -9.29	-12.48
B,C	U COLLECTOR PULLOVER SET	[Waveform]	UP -.54	.24
			DOWN -7.44	-12.48

DELAY

1. SET AND RESET DELAY:  
TURN ON .15 USEC FOR SET TO OUTPUT AT OFFSIDE (PIN A, F)  
AND FOR RESET TO OUTPUT OF ONSIDE (PIN E, P).
2. TURN ON .40 USEC FOR SET TO OUTPUT AT ONSIDE (PIN E, P)  
AND FOR RESET TO OUTPUT OF OFFSIDE (PIN A, F).



216465	1	7.5K 1/4W	3.9K	25	317022
350449	2	680 MMF	20 Ω	26	334949
216465	3	7.5K 1/4W	JO.7	27	
37014	4	680 n	←-AAs	28	491008
491007	5	←-AN	JO.7	29	
350449	6	680 MMF	56 UH	30	491311
317022	7	JO.7	←-AN	31	491007
317014	8	3.9K	←-AAs	32	491008
	9	JO.7	JO.7	33	
	10	680 n	56 UH	34	491311
	11	JO.7	20 n	35	334949
	12	JO.7	JO.7	36	
	13	JO.7	JO.7	37	
491007	14	←-AN	20 n	38	334949
317014	15	680 n	←-AAs	39	491008
300720	16	7.5K	JO.7	40	
216458	17	3.9K 1/4W	56 UH	41	491311
350449	18	680 MMF	JO.7	42	
300720	19	JO.7	←-AAs	43	491008
	20	7.5K	20 n	44	334949
	21	JO.7	3.9K 1/4W	45	216458
	22	680 n	680 MMF	46	350449
317014	23	680 n	JO.7	47	
491007	24	←-AN	56 UH	48	491311



CIRCUIT AND PACKAGING STANDARD	
APPROVAL	DATE
ABC	4-2-62

INTERNATIONAL BUSINESS MACHINES CORP.				DATE	CHANGE NO.	APPROVAL	DATE	CHANGE NO.	APPROVAL	DEVELOPMENT NO.
NAME CARD ASH TSTR-CTDL-PNP				6-29-62	EC	115599				729818
INVERTER LATCH				30.4.63	JT	83687				
DESIGN	RQ	3-1-62	MODEL	SMS						
DETAIL	WH	3-1-62	SCALE	NONE						
CHECK	WH	3-1-62	DRAW	LIG	3-17-62					
APPRO			CHECK							