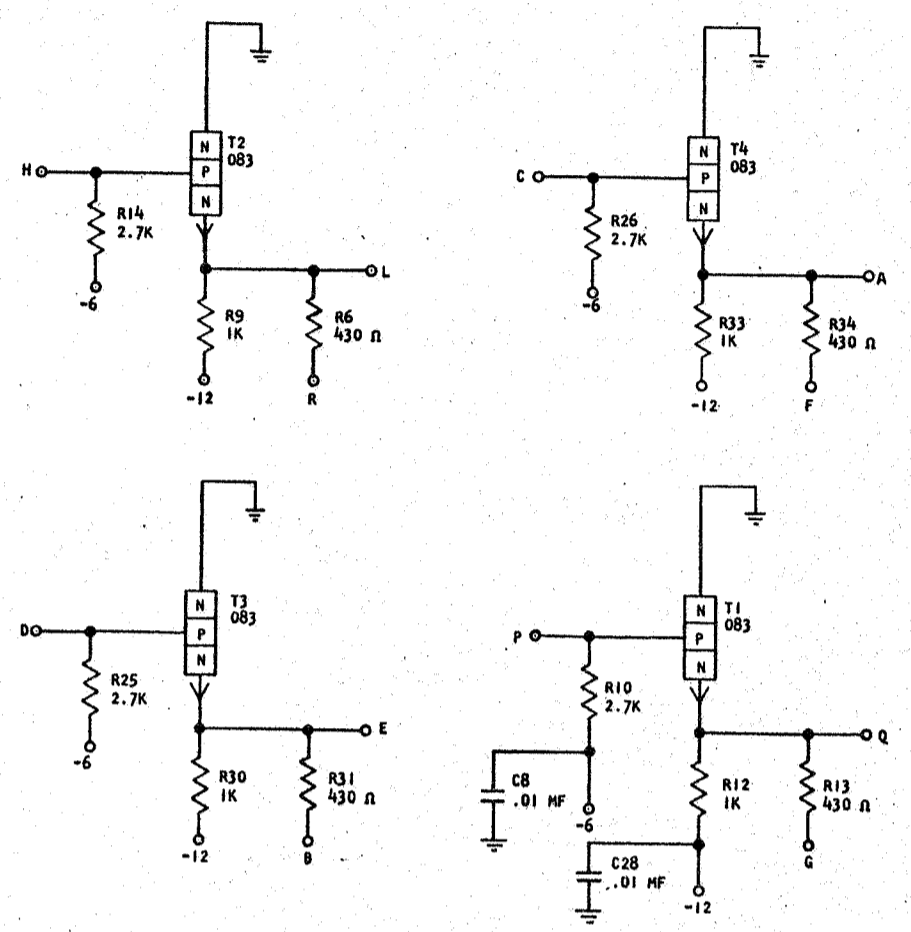
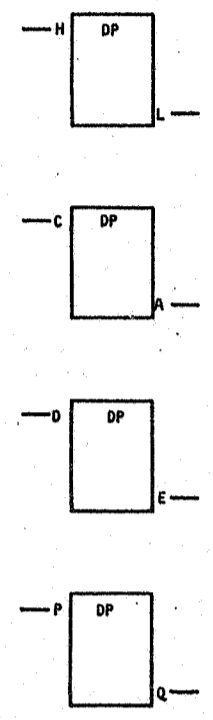


STANDARDS CODE  
729911

CARD CODE 729911  
D F R -

REFERENCE DRAWING  
SEE PRODUCTION DRAWING 370226

SDTDL NON-INVERTING POWER DRIVER



SEQUENCE OF OPERATION

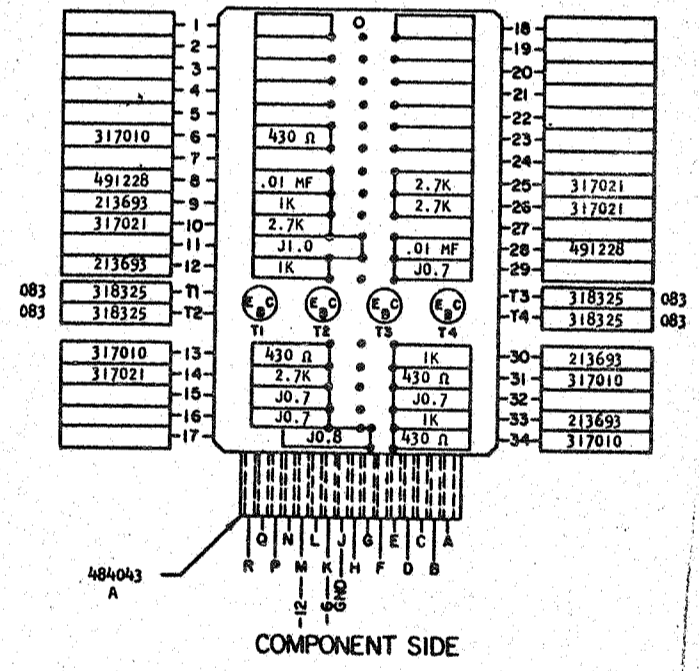
1. OUTPUT WILL FOLLOW INPUT
2. PINS R, F, B, AND G MAY BE CONNECTED TO PIN M (-12) FOR CERTAIN APPLICATIONS.

PINS	SIGNAL NAME	WAVE SHAPE	LEVELS	
			MIN	MAX
H, C, D, P	Y	INPUT	UP	-0.65 -0.10
L, A, E, Q	Y	OUTPUT	DOWN	-5.81 -8.8
			UP	-1.10 -0.22
			DOWN	-7.30 -5.83

DELAY - NSEC

	MINIMUM	MAXIMUM
TURN ON	6.0	20.0
TURN OFF	6.0	28.0

OUTPUT RISE AND FALL TIMES ARE WITHIN ±10 NSEC'S OF THE INPUT RISE AND FALL TIMES, RESPECTIVELY.



CIRCUIT AND PACKAGING STANDARD	
APPROVAL	DATE
ABC	4-2-62

INTERNATIONAL BUSINESS MACHINES CORP.				DATE	CHANGE NO.	APPROVAL	DATE	CHANGE NO.	APPROVAL	DEVELOPMENT NO.
NAME	CARD ASM TSTR-SDTDL			6-17-62	115599					
DESIGN	NON-INVERTING POWER DRIVER	MODEL	SMS							
DETAIL	RQ 3-1-62	SCALE	NONE							
CHECK	WH 3-1-62	DRAW	LTG 3-17-62							
APPRO		CHECK								

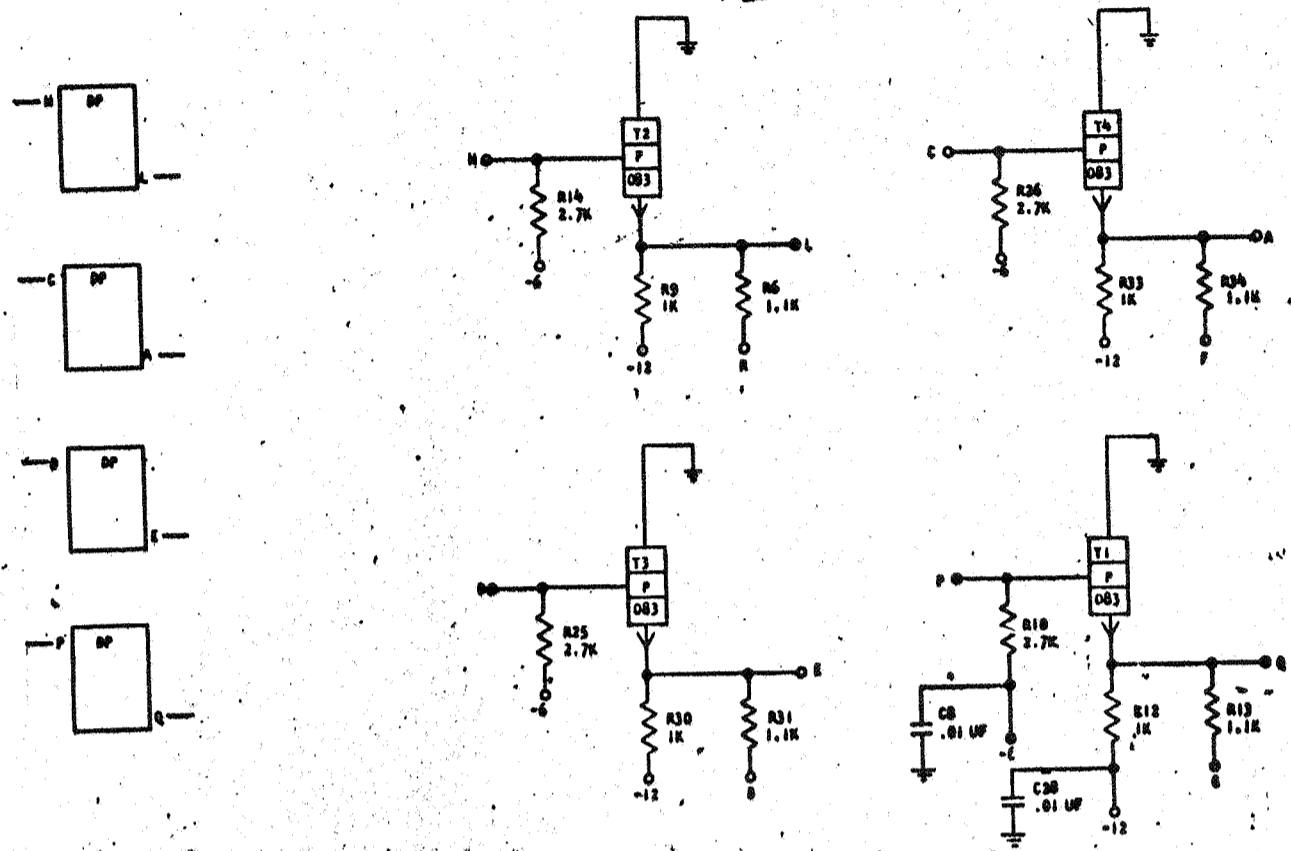
729911

729911  
STANDARD CODE

729911  
DFR -

**REFERENCE DRAWING**  
SEE PRODUCTION DRAWING 370226

**SOTDL NON-INVERTING POWER DRIVER**



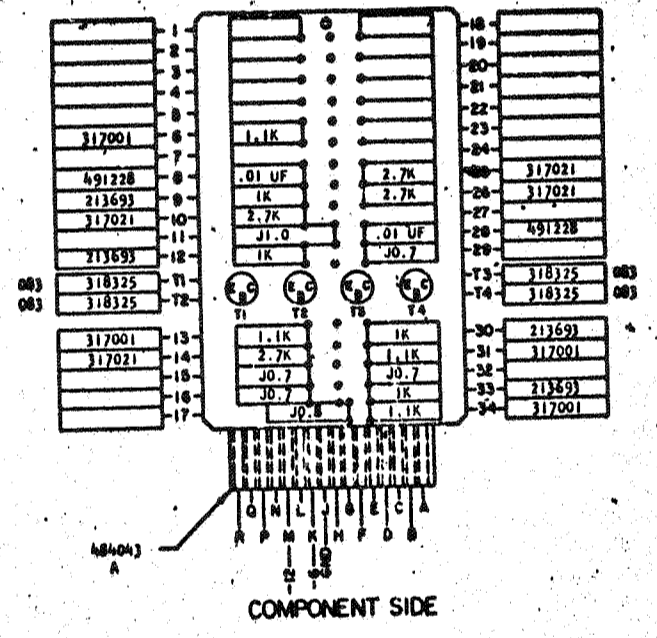
- SEQUENCE OF OPERATION**
1. OUTPUT WILL FOLLOW INPUT
  2. PINS R, F, S, AND G MAY BE CONNECTED TO PIN M (-12) FOR CERTAIN APPLICATIONS.

PINS	SIGNAL NAME	WAVE SHAPE	LEVELS	
			MIN	MAX
M, C, D, F	V	INPUT	UP: -0.65	-0.10
			DOWN: -5.81	-0.8
L, A, E, G	V	OUTPUT	UP: -1.10	-0.22
			DOWN: -7.30	-5.83

DELAY - NSEC

	MINIMUM	MAXIMUM
TURN ON	6.0	20.0
TURN OFF	6.0	28.0

OUTPUT RISE AND FALL TIMES ARE WITHIN ±10 NSEC'S OF THE INPUT RISE AND FALL TIMES, RESPECTIVELY.



CIRCUIT AND PACKAGING STANDARD

APPROVAL	DATE
ABC	4-2-62

INTERNATIONAL BUSINESS MACHINES CORP.	DATE	CHARGE NO.	APPROVAL	DATE	CHARGE NO.	APPROVAL	DEVELOPMENT NO.
NAME CARD ASK YSTR-SOTDL	5-17-62	115599					
NON-INVERTING POWER DRIVER	1-3-63	EC 116034					
DESIGN		MODEL	SHS				
DRAWN	3-1-62	SCALE	NONE				
CHECK	3-1-62	DRAWN	LIG 3-17-62				
APPROV		CHECK					

729911