

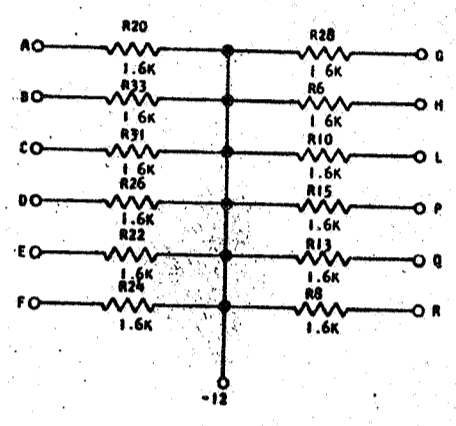
729909
STANDARDS
CODE

CARD CODE 729909
D F J -

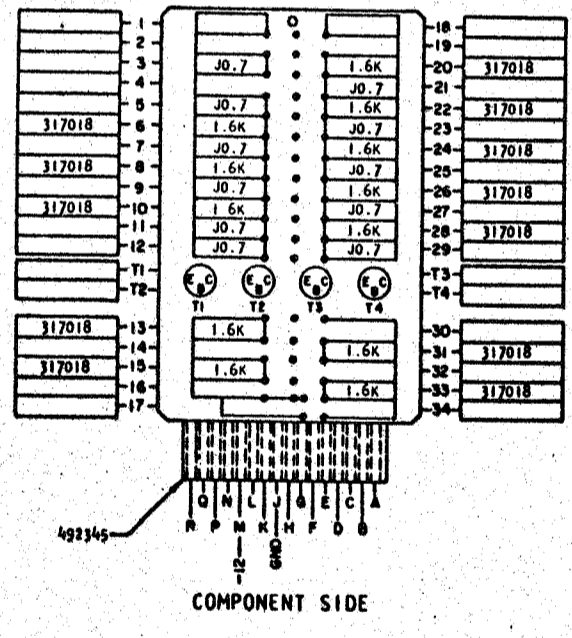
REFERENCE DRAWING

SEE PRODUCTION DRAWING 370232

TDL & TRL LOAD CARD



APPLICATION
 1. USED FOR TDL AND TRL COLLECTOR LOADING
 2. MAY BE USED IN PARALLEL IN CERTAIN APPLICATIONS.



CIRCUIT AND PACKAGING STANDARD	
APPROVAL	DATE
ABC	4-2-62

INTERNATIONAL BUSINESS MACHINES CORP.				DATE	CHANGE NO.	APPROVAL	DATE	CHANGE NO.	APPROVAL	DEVELOPMENT NO.
NAME CARD ASH YSTR-TDL AND TRL				4-19-62	EC 115599					
LOAD CARD				30-6-62	77 83687					
DESIGN	RQ	3-1-62	MODEL	SMS						
DRAW	WH	3-1-62	SCALE	NONE						
CHECK	WH	3-1-62	DRAW	LIG	3-17-62					
APPRO			CHECK							

729909

729909

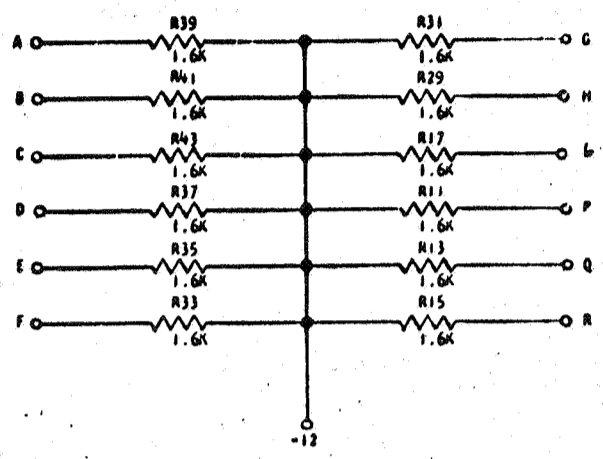
STANDARD CODE

DIJ- 329909

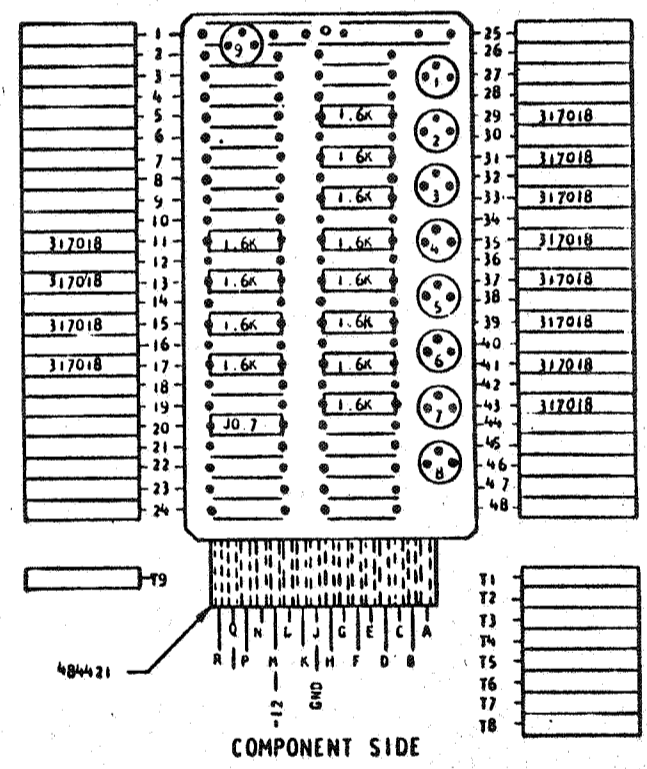
REFERENCE DRAWING

SEE PRODUCTION DRAWING 370232

TDL & TRL LOAD CARD



APPLICATION
 1. USED FOR TDL AND TRL COLLECTOR LOADING
 2. MAY BE USED IN PARALLEL IN CERTAIN APPLICATIONS



CIRCUIT AND PACKAGING STANDARD	
APPROVAL	DATE
ABC	4-2-62

INTERNATIONAL BUSINESS MACHINES CORP.				DATE	CHANGE NO.	APPROVAL	DATE	CHANGE NO.	APPROVAL	DEVELOPMENT NO.
NAME	CARD ASM TSTR-TDL AND TRL	DATE	6-22-62	115599						
	LOAD CARD	DATE	7-30-63	117824						
DESIGN	RQ	MODEL	S.I.S. 8018							
SCALE	NONE									
CHECK	WT	3-1-62	DRAW	JDF	7-11-63					
APPROV		CHECK								

729909

729909