

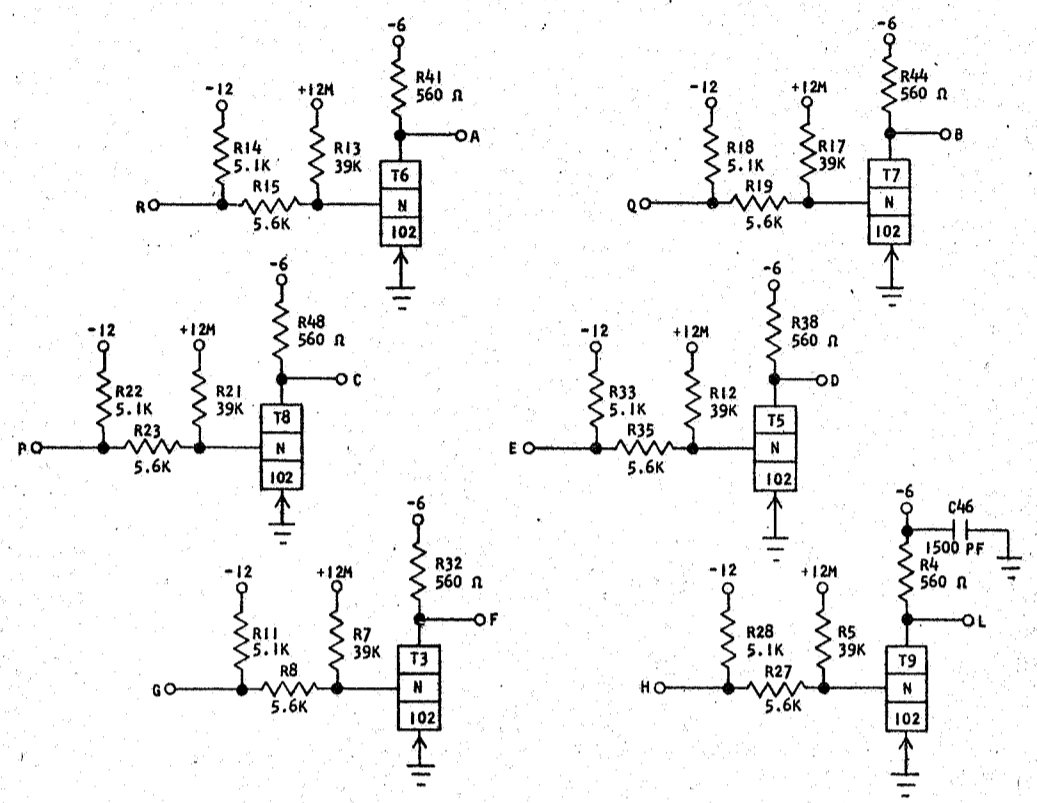
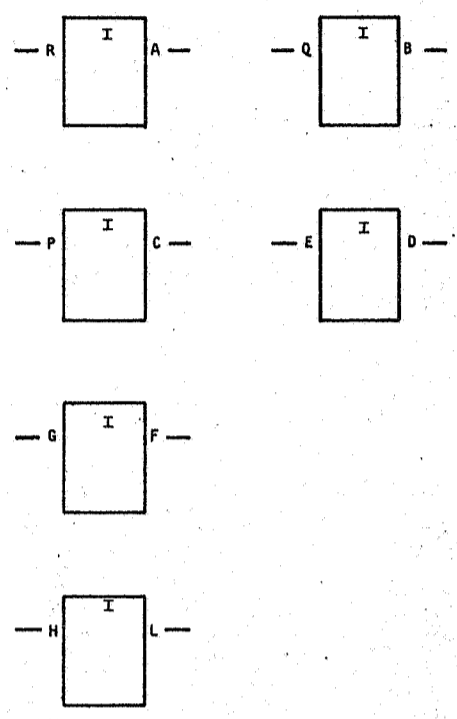
729921

STANDARDS CODE

CARD CODE 729921
D H B -

REFERENCE DRAWING
SEE PRODUCTION DRAWING 370348

SDTDL INVERTER LOW SPEED WITH LOAD



SEQUENCE OF OPERATION

1. INPUT DOWN TRANSISTOR ON OUTPUT UP
2. INPUT UP TRANSISTOR OFF OUTPUT DOWN
3. LOGIC BLOCKS MAY HAVE SYMBOLS OTHER THAN SHOWN.

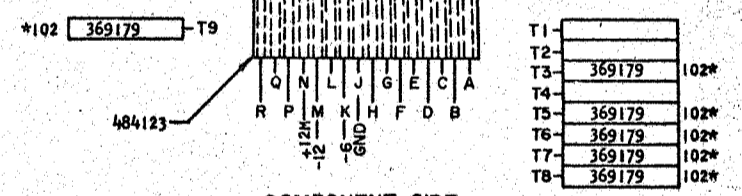
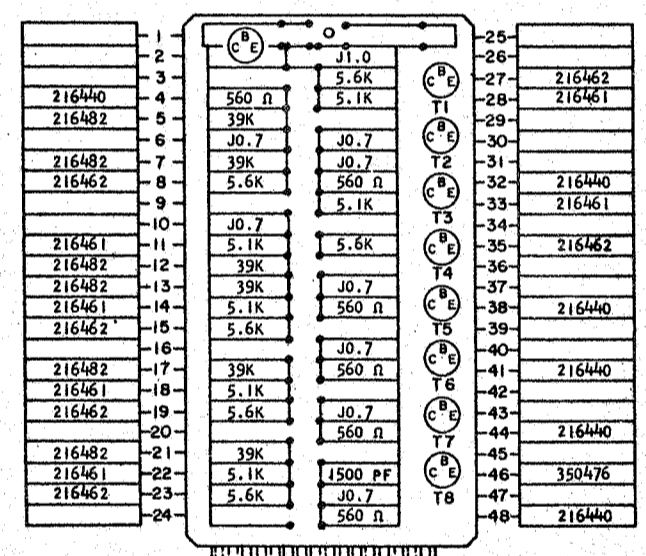
PINS	SIGNAL NAME	WAVE SHAPE	LEVELS		
			MIN	MAX	
R, Q, P, E, G, H	Y INPUT		UP	-0.65	-0.1
			DOWN	-5.81	-8.8
A, B, C, D, F, H	Y OUTPUT		UP	-0.65	-0.1
			DOWN	-5.81	-8.8

DELAY: SDTDL - LOW SPEED

LOGIC BLOCK WITH 560 OHM COLLECTOR RESISTOR

	MIN.	MAX.
TURN ON (NSEC)	75	100*
TURN OFF (NSEC)	40	200**

*THIS DELAY CAN INCREASE TO 200 NSEC WHEN THE DRIVING BLOCK HAS 6.2K COLLECTOR RESISTOR RETURNED TO -12V.
**THIS DELAY CAN INCREASE TO 350 NSEC WHEN THE DRIVING BLOCK OR THE BLOCK THAT DRIVES THE DRIVING BLOCK HAS 6.2K COLLECTOR RESISTOR RETURNED TO -12V.



COMPONENT SIDE

CIRCUIT AND PACKAGING STANDARD	
APPROVAL	DATE
ABC	4-2-62

INTERNATIONAL BUSINESS MACHINES CORP.				DATE	CHANGE NO.	APPROVAL	DATE	CHANGE NO.	APPROVAL	DEVELOPMENT NO.
NAME CARD ASM TSTR- SDTDL				3-1-62	115599					
INVERTER LOW SPEED WITH LOAD										
DESIGN	RQ	3-1-62	SCALE NONE							
CHECK	WH	3-1-62	DRAW LIG	3-17-62						
APPRO			CHECK							

729921

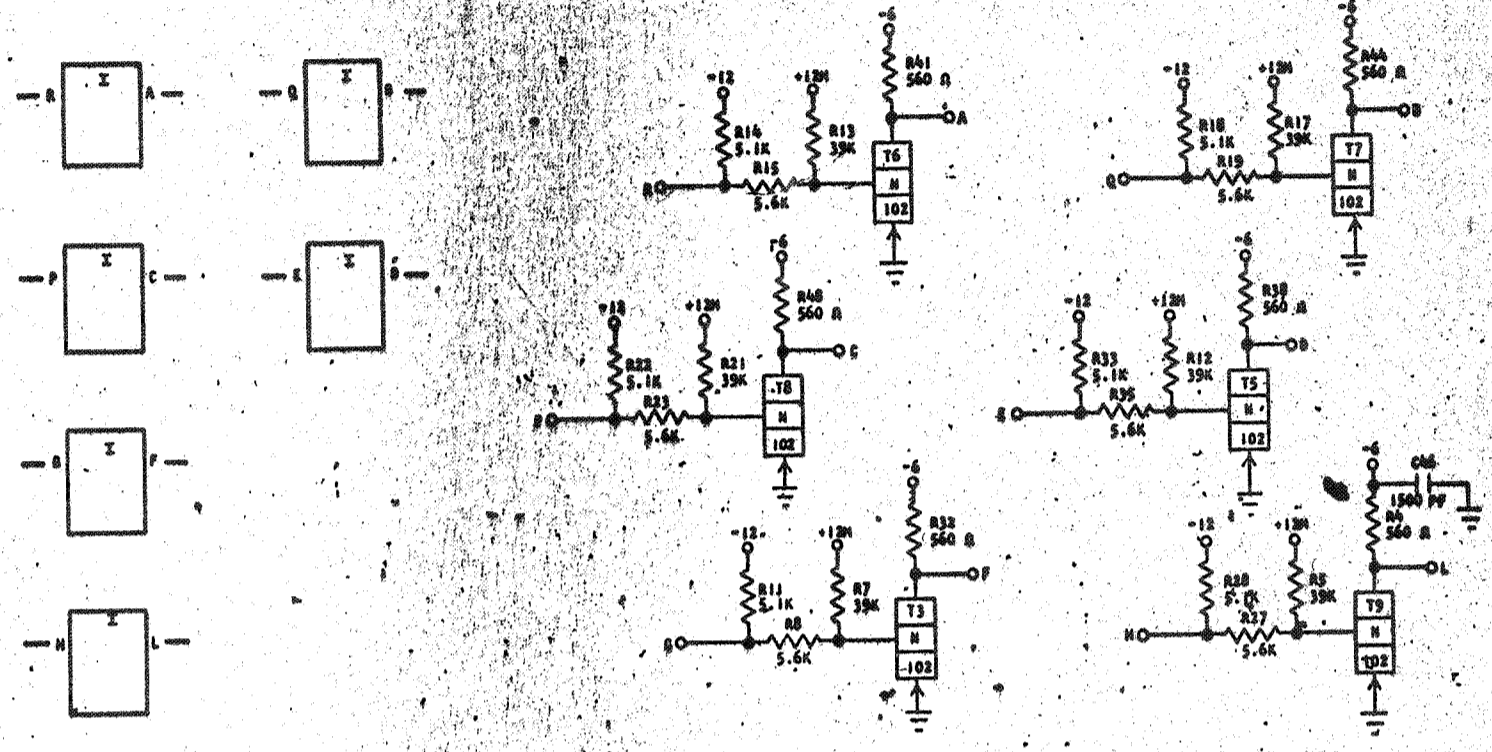
729921

STANDARD CODE

729921
D.H.B.

REFERENCE DRAWING
SEE PRODUCTION DRAWING 370348

SDTDL INVERTER LOW SPEED WITH LOAD



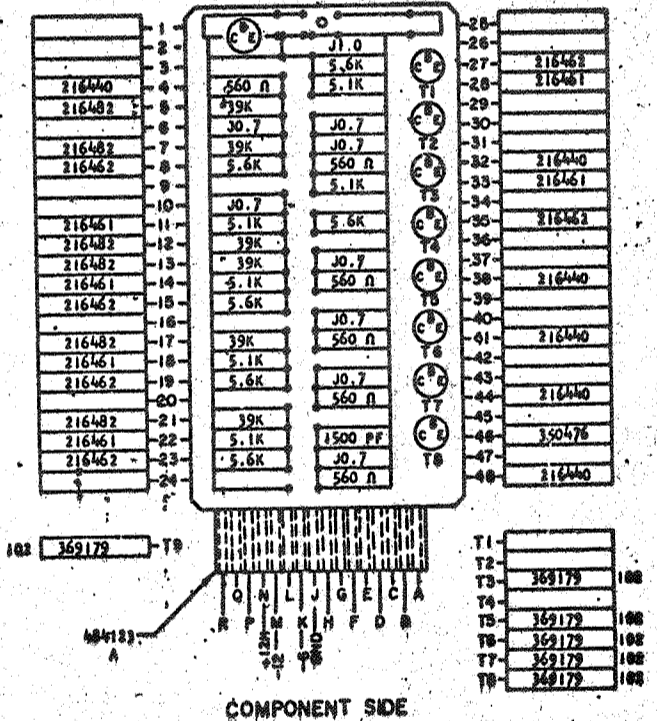
- SEQUENCE OF OPERATION**
1. INPUT DOWN TRANSISTOR ON OUTPUT UP
 2. INPUT UP TRANSISTOR OFF OUTPUT DOWN
 3. LOGIC BLOCKS MAY HAVE SYMBOLS OTHER THAN INDRAM.

PINS	SIGNAL NAME	WAVE SHAPE	LEVELS	
			MIN	MAX
R, Q, P, E, G, H	INPUT	[Waveform]	UP	-0.65 - -1
A, B, C, D, F, I	OUTPUT	[Waveform]	DOWN	-5.81 - -8.8

DELAY: SDTDL - LOW SPEED
LOGIC BLOCK WITH 560 OHM COLLECTOR RESISTOR

	MIN	MAX
TURN ON (NSEC)	75	100*
TURN OFF (NSEC)	40	200**

*THIS DELAY CAN INCREASE TO 200 NSEC WHEN THE DRIVING BLOCK HAS 6.2K COLLECTOR RESISTOR RETURNED TO -12V.
**THIS DELAY CAN INCREASE TO 350 NSEC WHEN THE DRIVING BLOCK OR THE BLOCK THAT DRIVES THE DRIVING BLOCK HAS 6.2K COLLECTOR RESISTOR RETURNED TO -12V.



CIRCUIT AND PACKAGING STANDARD

APPROVAL	DATE
ABC	4-2-62

INTERNATIONAL BUSINESS MACHINES CORP.	DATE	CHANGE NO.	APPROVAL	DATE	CHANGE NO.	APPROVAL	DEVELOPMENT NO.
NAME CARD ASM YSTR- SDTDL	6-11-62	115599					
INVERTER LOW SPEED WITH LOAD	1-3-63	EC 116094					
DESIGN							
DETAIL RQ	3-1-62	SCALE NONE					
CHECK NH	3-1-62	DRAW LIG	3-1-62				
APPRO		CHECK					

C

729921