

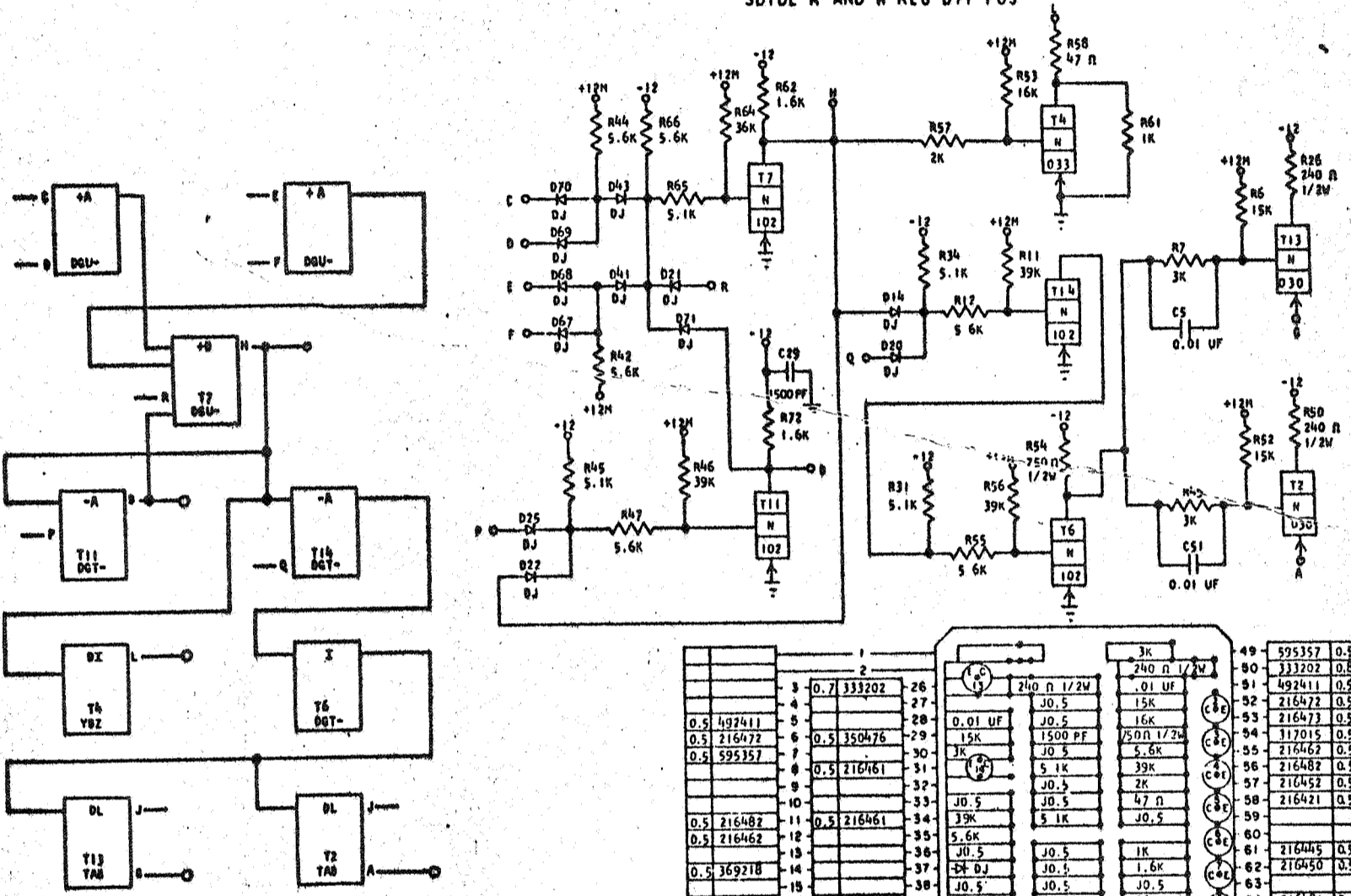
STANDARD CASE

729926

CARD CODE 729926
DHG -

REFERENCE DRAWING SEE PRODUCTION DRAWING 370351

SDTDL R AND W REG BIT POS



SEQUENCE OF OPERATION

- PINS CD OR EF OR R OR S IN UP LEVEL GIVES DOWN LEVEL AT PIN H. A DOWN LEVEL AT PIN H TURNS ON T4 GIVING UP LEVEL AT PIN L.
 - DOWN LEVELS ON PIN H AND Q GIVES UP LEVEL AT OUTPUT OF T14 WHICH TURNS T6 OFF AND T2 AND T13 ON GIVING VOLTAGE OUTPUT AT PINS A AND G (H LEVEL).
 - DOWN LEVEL AT PIN H WITH DOWN LEVEL AT PIN P RESULTS IN UP LEVEL AT PIN B
 - T7 AND T11 ACT AS A LATCH WITH GATE IN CONTROLS. THE LATCH BACK IS PERFORMED BY THE OUTPUT OF T11 BEING FED TO T7
 - T2 AND T13 ARE TRANSMISSION LINE DRIVERS CONVERTING S LEVEL INPUT TO A VOLTAGE SIGNAL FOR TRANSMISSION OVER A 93 OHM COAXIAL LINE
 - THE INPUTS ARE Y LINE LEVELS. FOR WAVEFORMS AND VOLTAGE LEVELS REFER TO CIRCUITS INDICATED BY CARD CODES IN BLOCKS
- | DELAY - NSEC | MIN. | MAX. |
|-----------------------------------|------|------|
| PINS C, D, E, F, R TO PIN H: | | |
| TURN ON | 80 | 258 |
| TURN OFF | 100 | 465 |
| PINS C, D, E, F, R TO PIN O: | | |
| TURN ON | 120 | 458 |
| TURN OFF | 175 | 465 |
| PIN P TO PIN B: | | |
| TURN ON | 75 | 100 |
| TURN OFF | 40 | 200 |
| PIN Q TO PIN G OR A: | | |
| TURN ON | 125 | 340 |
| TURN OFF | 115 | 310 |
| PINS C, D, E, F, R TO PIN G OR A: | | |
| TURN ON | 195 | 568 |
| TURN OFF | 225 | 709 |

NO.	VALUE	NO.	VALUE	NO.	VALUE
1		26	240 n 1/2W	49	595357 0.5
2		27	.01 UF	50	333202 0.8
3	0.7 333202	28	JO.5	51	492411 0.5
4	0.5 492411	29	15K	52	216472 0.5
5	0.5 216472	30	1500 PF	53	216473 0.5
6	0.5 350476	31	JO.5	54	317015 0.5
7	0.5 595357	32	5.1K	55	216462 0.5
8	0.5 216461	33	39K	56	216482 0.5
9		34	5.6K	57	216452 0.5
10		35	5.1K	58	216421 0.5
11	0.5 216482	36	JO.5	59	
12	0.5 216462	37	JO.5	60	
13		38	JO.5	61	216445 0.5
14	0.5 369218	39	JO.5	62	216450 0.5
15		40	JO.5	63	
16		41	JO.5	64	216481 0.5
17		42	JO.5	65	216461 0.5
18	0.5 369218	43	JO.5	66	216462 0.5
19	0.5 216462	44	JO.5	67	369218 0.5
20	0.5 369218	45	JO.5	68	369218 0.5
21	0.5 216462	46	JO.5	69	369218 0.5
22	0.5 216461	47	JO.5	70	369218 0.5
23	0.5 216482	48	JO.5	71	369218 0.5
24	0.5 216462	49	JO.5	72	216450 0.5
25	0.5 369218	50	JO.5	73	
		51	JO.5	74	

COMPONENT SIDE

T1	369099	030
T2	318324	033
T3		
T4	369179	102
T5	369179	102
T6		
T7		
T8		
T9		
T10		
T11	369179	102
T12		

CIRCUIT AND PACKAGING STANDARD	
APPROVAL	DATE
ABC	4-2-62

INTERNATIONAL BUSINESS MACHINES CORP.	DATE	CHANGE NO.	APPROVAL	DATE	CHANGE NO.	APPROVAL	DEVELOPMENT NO.
NAME: CARD ASH TEST SDTDL R AND W REG BIT POS	4-2-62	EC 145599					
DESIGN	NO	3-1-62	SCALE	NONE			
CHECK	MR	3-1-62	DRAW	LIS	1-1-62		
APPD			CHECK				

729926