

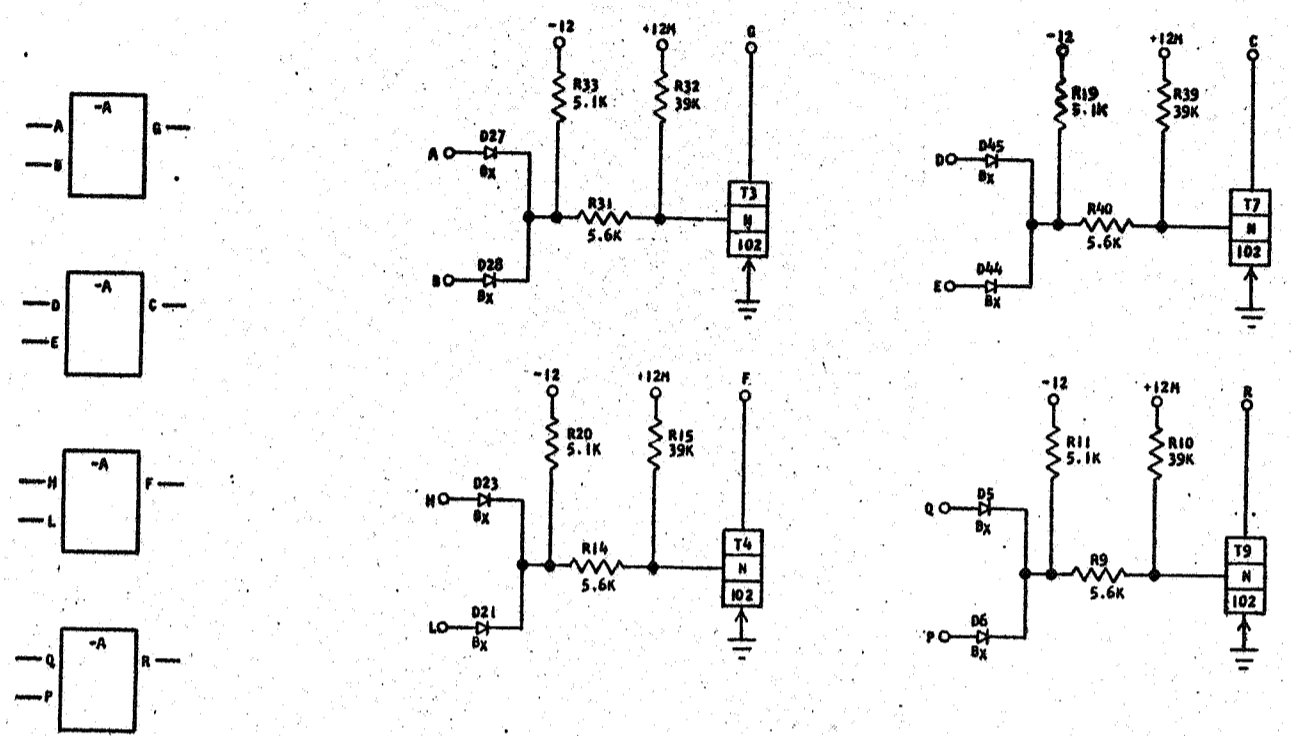
729914
STANDARD CODE

CARD CODE 729914
D G U -

REFERENCE DRAWING

SEE PRODUCTION DRAWING 370379

SOTDL 2-WAY LOGIC BLOCK LOW SPEED WITHOUT LOADS



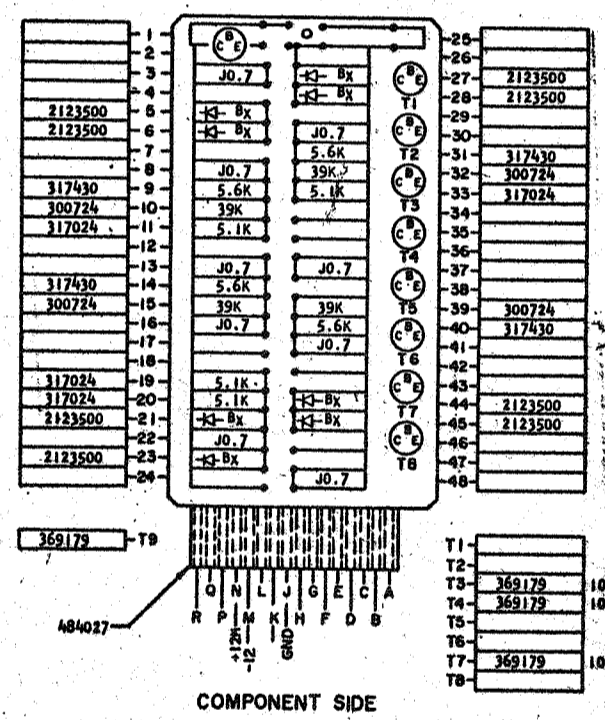
- SEQUENCE OF OPERATION
1. ALL INPUTS DOWN TRANSISTOR ON OUTPUT UP
 2. ANY INPUT DOWN TRANSISTOR OFF OUTPUT DOWN
 3. COLLECTORS MUST BE LOADED
 4. LOGIC BLOCKS MAY HAVE SYMBOLS OTHER THAN SHOWN.

PINS	SIGNAL NAME	WAVE SHAPE	LEVELS	
			MIN	MAX
A, D, H, Q	Y INPUT	[Diagram]	UP	-0.65 -0.1
B, E, L, P	Y INPUT	[Diagram]	DOWN	-5.81 -8.8
G, C, F, R	Y OUTPUT	[Diagram]	UP	-0.65 -0.1
			DOWN	-5.81 -8.8

DELAY: SOTDL - LOW SPEED
 LOGIC BLOCK WITH 560 OHM COLLECTOR RESISTOR

TURN ON (NSEC)	MIN.	MAX.
TURN OFF (NSEC)	75	100*
	40	200**

*THIS DELAY CAN INCREASE TO 200 NSEC WHEN THE DRIVING BLOCK HAS 6.2K COLLECTOR RESISTOR RETURNED TO -12V.
 **THIS DELAY CAN INCREASE TO 350 NSEC WHEN THE DRIVING BLOCK OR THE BLOCK THAT DRIVES THE DRIVING BLOCK HAS 6.2K COLLECTOR RESISTOR RETURNED TO -12V.



CIRCUIT AND PACKAGING STANDARD

APPROVAL	DATE
ABC	4-2-62

INTERNATIONAL BUSINESS MACHINES CORP.				DATE	CHANGE NO.	APPROVAL	DATE	CHANGE NO.	APPROVAL	DEVELOPMENT NO.											
NAME	CARD ASM TSTR-SOTDL 2-WAY	LOGIC BCK LOW SPEED WITHOUT LOADS	DESIGN	RQ	3-1-62	SCALE	NONE	CHECK	WH	3-1-62	DRAW	LIG	3-17-62	APPRO		CHECK					729914

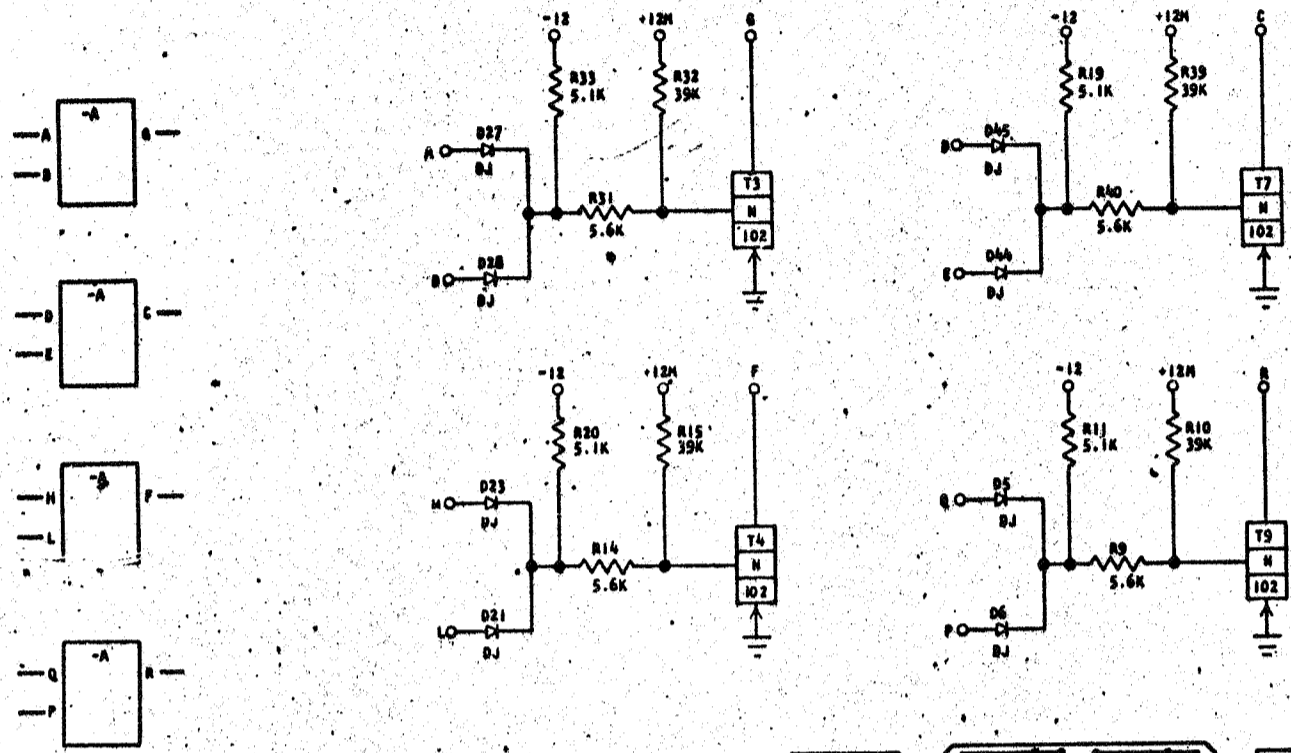
729914
2344

729914
STANDARD CODE

CARD CODE 729914
D G U -

REFERENCE DRAWING
SEE PRODUCTION DRAWING 370379

SDTDL 2-WAY LOGIC BLOCK LOW SPEED WITHOUT LOADS



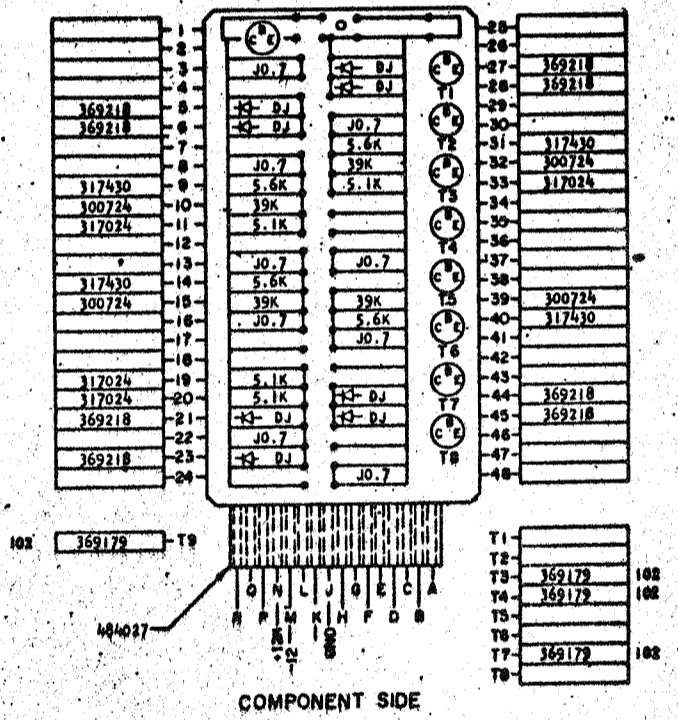
- SEQUENCE OF OPERATION**
1. ALL INPUTS DOWN TRANSISTOR ON OUTPUT UP
 2. ANY INPUT DOWN TRANSISTOR OFF OUTPUT DOWN
 3. COLLECTORS MUST BE LOADED
 4. LOGIC BLOCKS MAY HAVE SYMBOLS OTHER THAN SHOWN.

PINS	SIGNAL NAME	WAVE SHAPE	LEVELS	
			MIN	MAX
A, D, H, Q	Y INPUT	[Waveform]	UP -0.65	-1
B, E, L, P	Y INPUT	[Waveform]	UP -0.65	-1
C, F, G, R	Y OUTPUT	[Waveform]	UP -0.65	-1
			DOWN -5.81	-8.8

DELAY: SDTDL - LOW SPEED
LOGIC BLOCK WITH 560 OHM COLLECTOR RESISTOR

TURN ON (NSEC)	MIN. 75	MAX. 100*
TURN OFF (NSEC)	40	200**

*THIS DELAY CAN INCREASE TO 200 NSEC WHEN THE DRIVING BLOCK HAS 6.2K COLLECTOR RESISTOR RETURNED TO -12V.
**THIS DELAY CAN INCREASE TO 350 NSEC WHEN THE DRIVING BLOCK OR THE BLOCK THAT DRIVES THE DRIVING BLOCK HAS 6.2K COLLECTOR RESISTOR RETURNED TO -12V.



CIRCUIT AND PACKAGING STANDARD

APPROVAL	DATE
ABC	4-2-62

INTERNATIONAL BUSINESS MACHINES CORP.	DATE	CHANGE NO.	APPROVAL	DATE	CHANGE NO.	APPROVAL	DEVELOPMENT NO.
NAME CARD ASM TSTR-SDTDL 2-WAY	4-2-62	115599					729914
LOGIC BCK LOW SPEED WITHOUT LOADS	1-3-63	EC 116034					
DESIGN							
DETAIL RQ 3-1-62	SCALE NONE						
CHECK WH 3-1-62	DRAW LIG 3-17-62						
APPRO	CHECK						