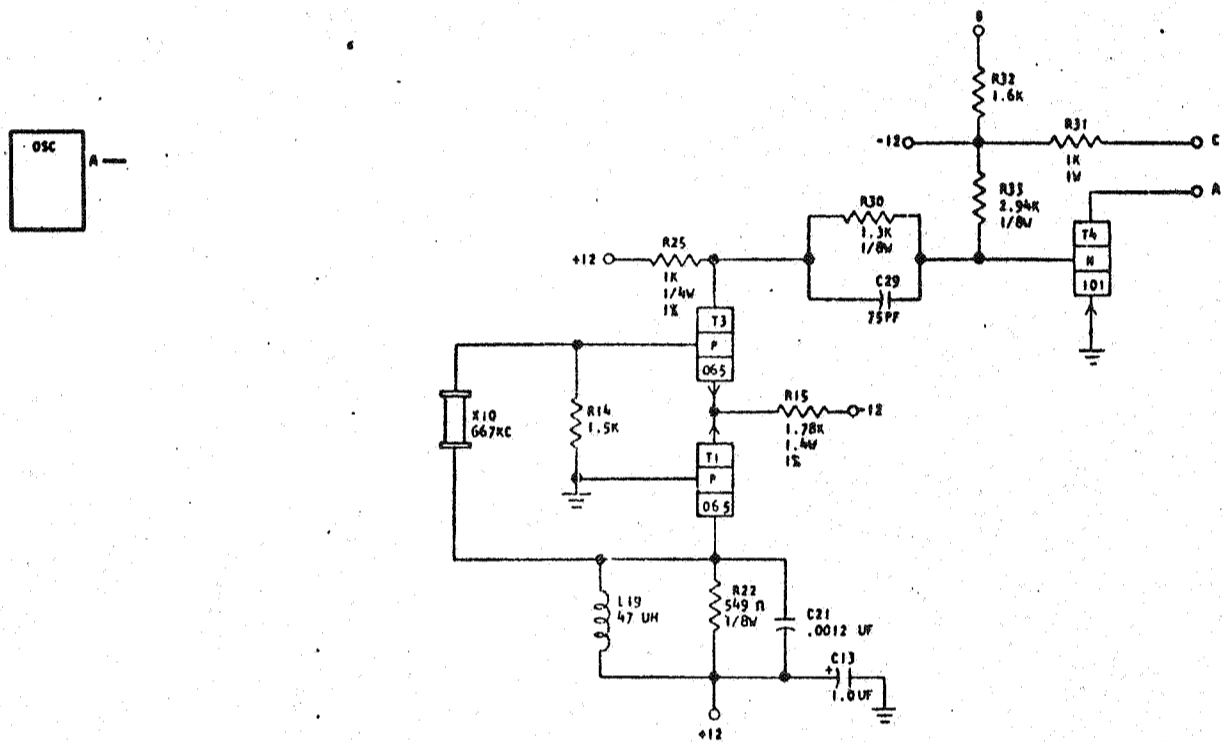


729946
STANDARD CODE

CARD CODE 729946
T D H -


REFERENCE DRAWING
SEE PRODUCTION DRAWING 370396

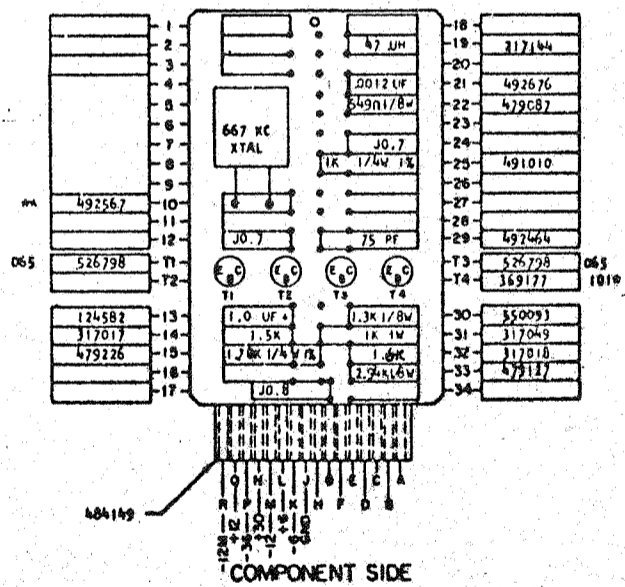
SDTOL-SDTRL-667 KC OSCILLATOR



SEQUENCE OF OPERATION

1. WHEN POWER IS UP, THE OSCILLATOR TURNS ON
2. PIN A CAN BE TIED TO TWO DIFFERENT LOADS, DEPENDING ON CURRENT REQUIREMENTS

PINS	SIGNAL NAME	WAVE SHAPE	LEVELS	
			MIN	MAX
A	OUTPUT		UP	-0.5
		667KC	DOWN	-12.48



CIRCUIT AND PACKAGING STANDARD	
APPROVAL	DATE
ABC	4-2-62

INTERNATIONAL BUSINESS MACHINES CORP.	DATE	CHANGE NO.	APPROVAL	DATE	CHANGE NO.	APPROVAL	DEVELOPMENT NO.
NAME CARD ASM 1514-SDTOL	6-27-62	RC115529					729946
SDTOL-667 KC OSCILLATOR	30.6.63	JTB3687					
DESIGN	REQ	3-5-62	SCALE	NONE			
CHECK	MM	3-1-62	DRAW	L10	3-17-62		
APPRO			CHECK				

C

729946

729946

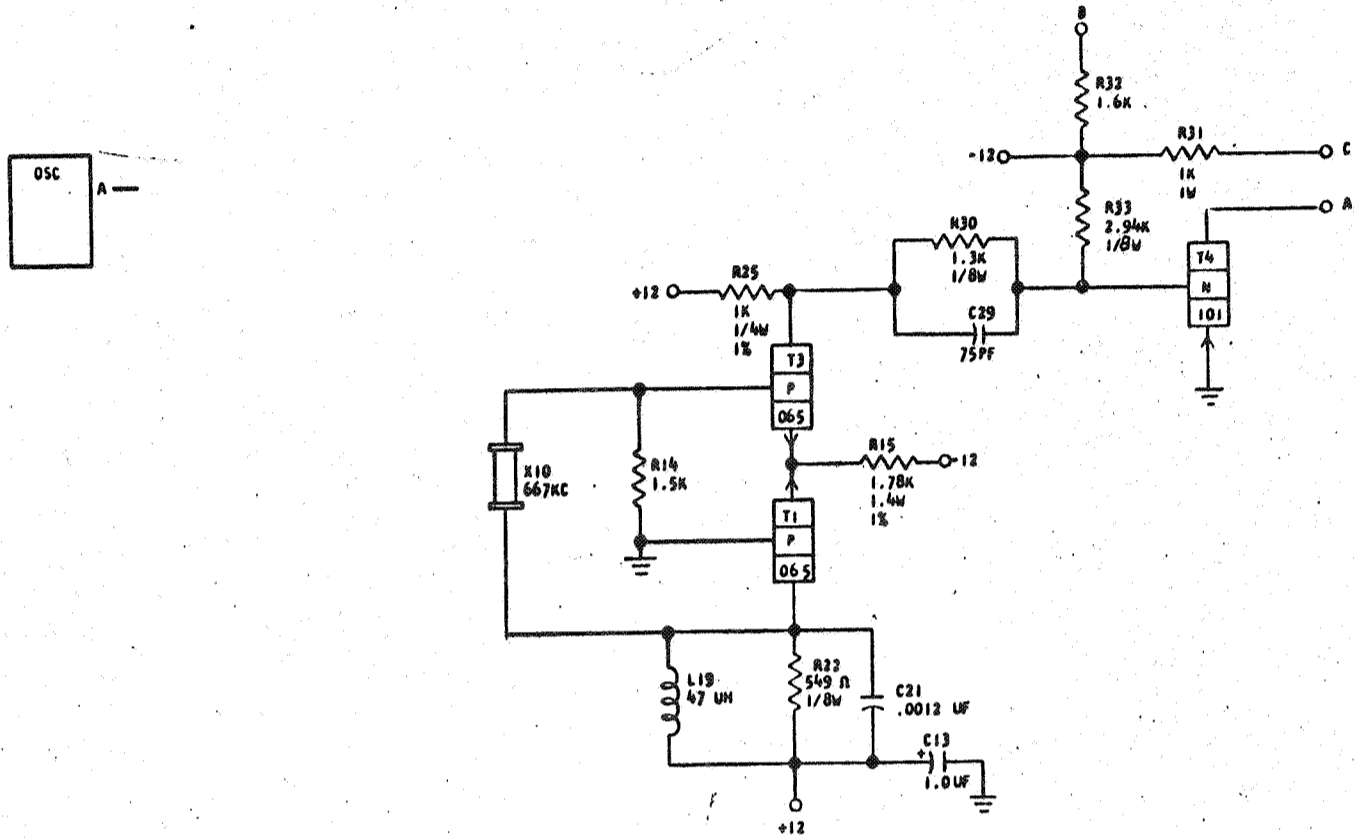
STANDARD CODE

CARD CODE 729946
T D H -

REFERENCE DRAWING

SEE PRODUCTION DRAWING 370396

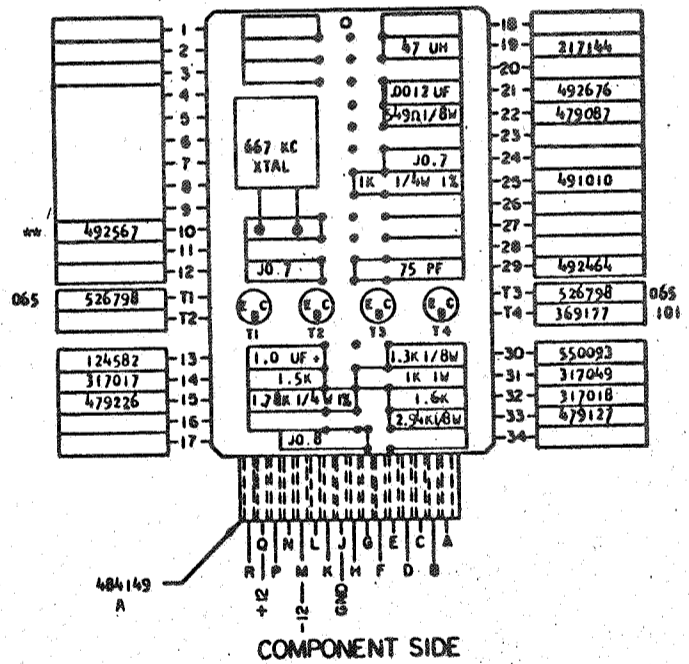
SDTDL-SDTRL-667 KC OSCILLATOR



SEQUENCE OF OPERATION

1. WHEN POWER IS UP, THE OSCILLATOR TURNS ON
2. PIN A CAN BE TIED TO TWO DIFFERENT LOADS, DEPENDING ON CURRENT REQUIREMENTS

PINS	SIGNAL NAME	WAVE SHAPE	LEVELS		
			MIN	MAX	
A	S	OUTPUT	UP	-0.45	-0.05
			DOWN	-5.8	-12.48



CIRCUIT AND PACKAGING STANDARD	
APPROVAL	DATE
ABC	4-2-62

INTERNATIONAL BUSINESS MACHINES CORP.				DATE	CHANGE NO.	APPROVAL	DATE	CHANGE NO.	APPROVAL	DEVELOPING NO.
NAME	CARD ASM TSTR-SDTDL			6-1-62	115599					729946
	SDTRL-667 KC OSCILLATOR			8-28-63	117802					
DESIGN	RQ	3-1-62	SCALE	NONE						
CHECK	WH	3-1-62	DRAW	LIG	3-17-62					
APPRO			CHECK							

C