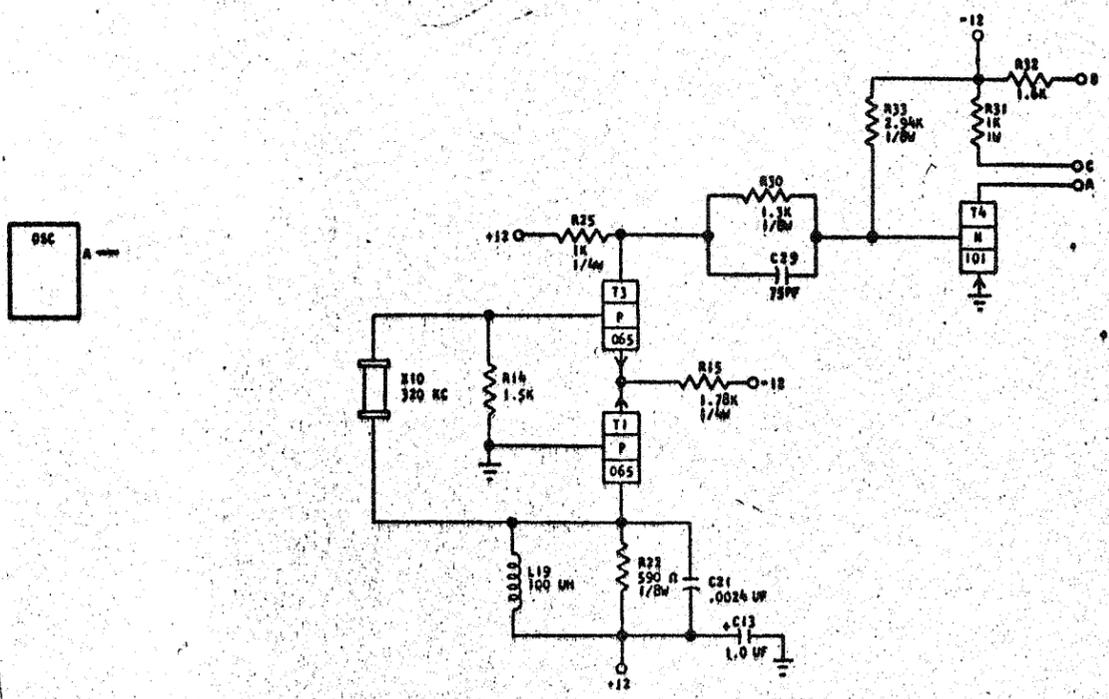


STANDARD CODE
729944

CARD CODE 729944
TDF -

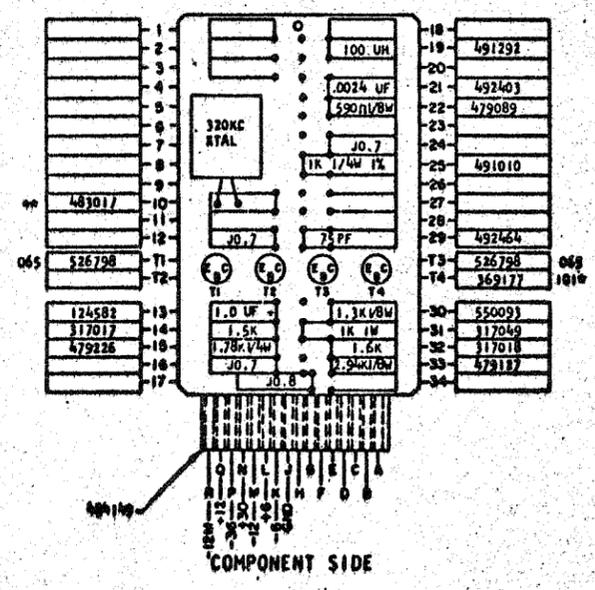
REFERENCE DRAWING
SEE PRODUCTION DRAWING 370398

SDTDL-SDTRL-320 KC OSCILLATOR



SEQUENCE OF OPERATION
1. WHEN POWER IS UP, THE OSCILLATOR TURNS ON.
2. PIN A CAN BE TIED TO TWO DIFFERENT LOADS, DEPENDING ON CURRENT REQUIREMENTS.

PINS	SIGNAL NAME	WAVE SHAPE	LEVELS	
			MIN	MAX
A	B	OUTPUT	UP DOWN	-4.5 -12.4B



CIRCUIT AND PACKAGING STANDARD	
APPROVAL	DATE
ABC	4-2-62

INTERNATIONAL BUSINESS MACHINES CORP.							
NAME	DATE	CHANGE NO.	APPROVAL	DATE	CHANGE NO.	APPROVAL	DEVELOPMENT NO.
CARD ASM YSTR-SDTDL	6-27-62	EC115599					729944
SDTRL-320 KC OSCILLATOR	50-6-63	JT03687					
REVISION	NO	DATE	SCALE	BY	CHKD	APPD	
	3-1-62		NONE				
	3-1-62		1/8"	D-17-62			

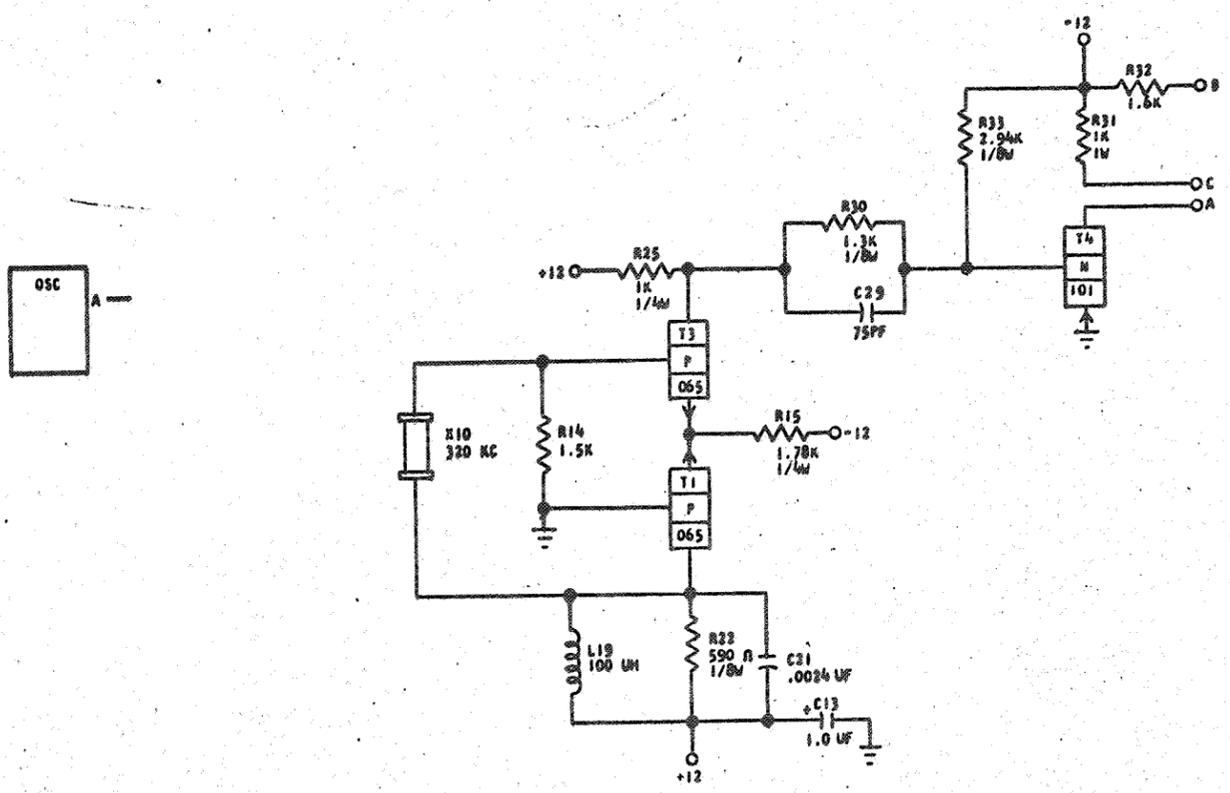
C

STANDARDS CODE
729544

CARD CODE 729944
T D F -

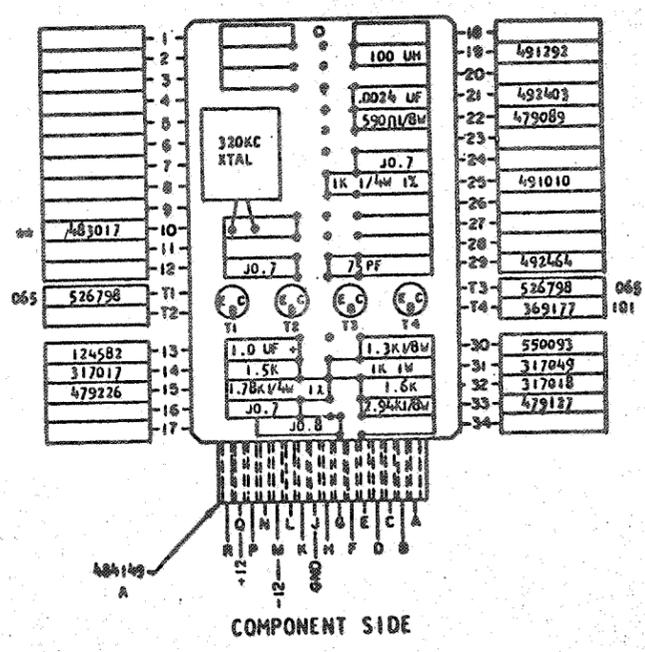
REFERENCE DRAWING
SEE PRODUCTION DRAWING 370398

SDTDL-SDTRL-320 KC OSCILLATOR



- SEQUENCE OF OPERATION
1. WHEN POWER IS UP, THE OSCILLATOR TURNS ON.
 2. PIN A CAN BE TIED TO TWO DIFFERENT LOADS, DEPENDING ON CURRENT REQUIREMENTS.

PINS	SIGNAL NAME	WAVE SHAPE	LEVELS	
			MIN	MAX
A	S	OUTPUT	UP -4.5	-0.5
			DOWN -5.8	-12.48



CIRCUIT AND PACKAGING STANDARD	
APPROVAL	DATE
ABC	4-2-62

INTERNATIONAL BUSINESS MACHINES CORP.				DATE	CHANGE NO.	APPROVAL	DATE	CHANGE NO.	APPROVAL	DEVELOPMENT NO.
NAME	LARD ASM YSTR-SDTDL			6-1-62	115599					
	SDTRL-320 KC OSCILLATOR			8-28-63	117802					
DESIGN	RQ	3-1-62	MODEL	SMS						
DRAW	WH	3-1-62	SCALE	NONE						
CHECK			DRAW	LIG	3-17-62					
APPRO			CHECK							

C

60 47 10 11