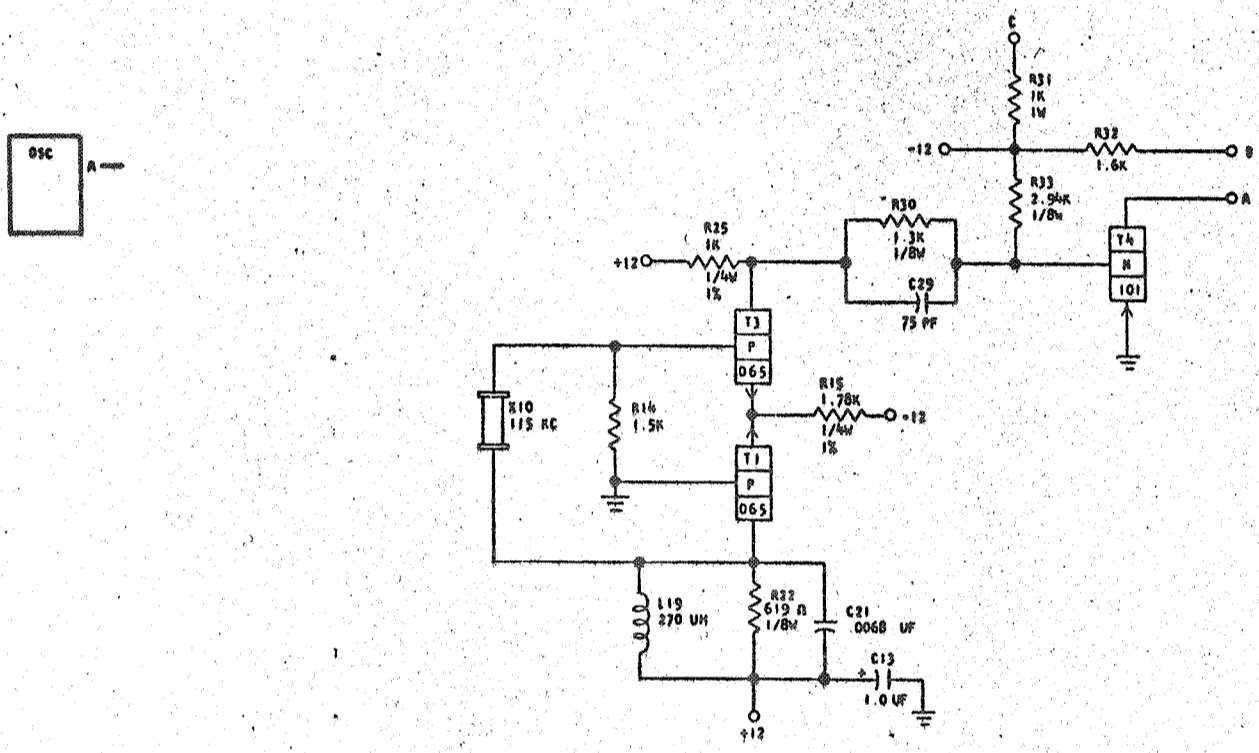


729942
STANDARD CODE


CARD CODE 729942
T D D -

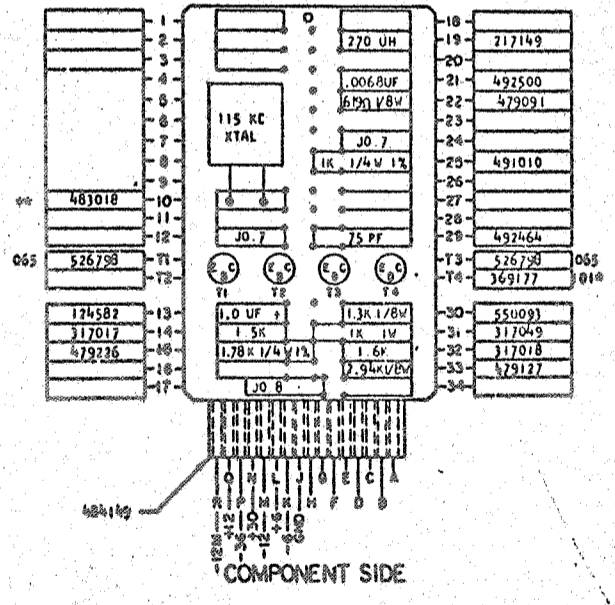
REFERENCE DRAWING
SEE PRODUCTION DRAWING 370400

SDTDL-SDTRL - 115 KC OSCILLATOR



- SEQUENCE OF OPERATION
1. WHEN POWER IS UP, THE OSCILLATOR TURNS ON
 2. PIN A CAN BE TIED TO TWO DIFFERENT LOADS, DEPENDING ON CURRENT REQUIREMENTS

PINS	SIGNAL NAME	WAVE SHAPE		LEVELS	
				MIN	MAX
A	OUTPUT		115KC	UP	-0.5 - .05
				DOWN	-5.8 -12.4B



CIRCUIT AND PACKAGING STANDARD	
APPROVAL	DATE
ABC	4-2-62

INTERNATIONAL BUSINESS MACHINES CORP.				DATE	CHANGE NO.	APPROVAL	DATE	CHANGE NO.	APPROVAL	DEVELOPMENT NO.
NAME CARD ASM T5TR-SDTDL				4-2-62	EC115599					729942
SDTDL-115 KC OSCILLATOR				30-6-63	7783687					
DESIGN	RQ	3-1-62	MODEL	SMS						
DRAWN	WH	3-1-62	SCALE	RDHE						
CHECK	WH	3-1-62	DATE	LIG	3-17-62					
APPROV			CHECK							

729942

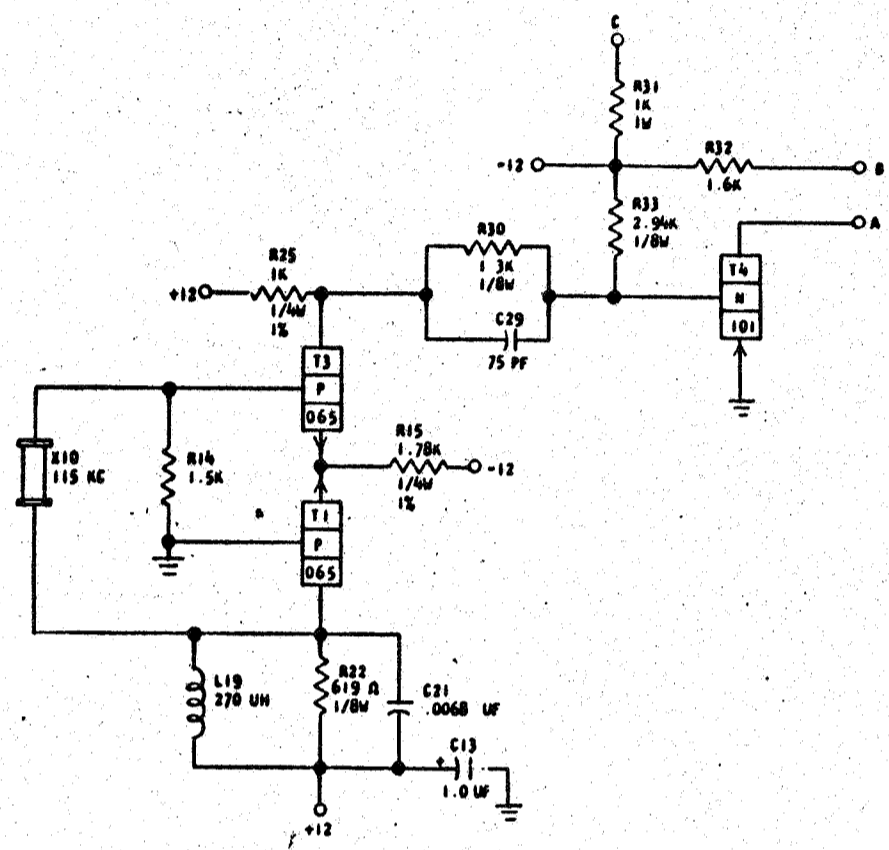
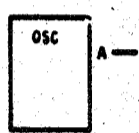
729942

STANDARD CODE

CARD CODE 729942
T D D -

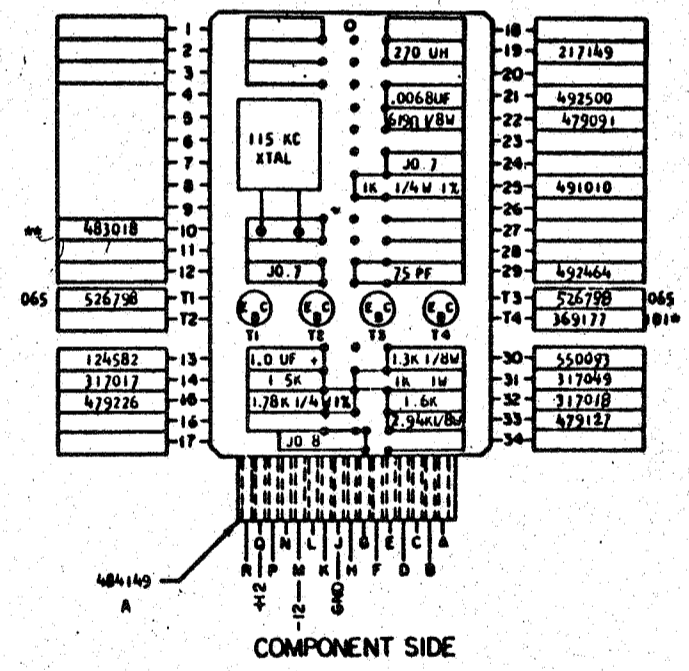
REFERENCE DRAWING
SEE PRODUCTION DRAWING 370400.

SOTDL-SDTRL - 115 KC OSCILLATOR



- SEQUENCE OF OPERATION**
1. WHEN POWER IS UP, THE OSCILLATOR TURNS ON
 2. PIN A CAN BE TIED TO TWO DIFFERENT LOADS, DEPENDING ON CURRENT REQUIREMENTS

PINS	SIGNAL NAME	WAVE SHAPE	LEVELS		
			MIN	MAX	
A	OUTPUT	115KC	UP	-0.45	-0.05
			DOWN	-5.8	-12.48



CIRCUIT AND PACKAGING STANDARD

APPROVAL	DATE
ABC	4-2-62

INTERNATIONAL BUSINESS MACHINES CORP.				DATE	CHANGE NO	APPROVAL	DATE	CHANGE NO	APPROVAL	DEVELOPMENT NO.
NAME CARD ASM TSTR- SOTDL				6-27-62	115599					729942
SDTRL-115 KC OSCILLATOR				8-28-63	117802					
DESIGN	RQ	3-1-62	SCALE	SMS						
DETAIL	WH	3-1-62	ORAW	LIG	3-17-62					

729942