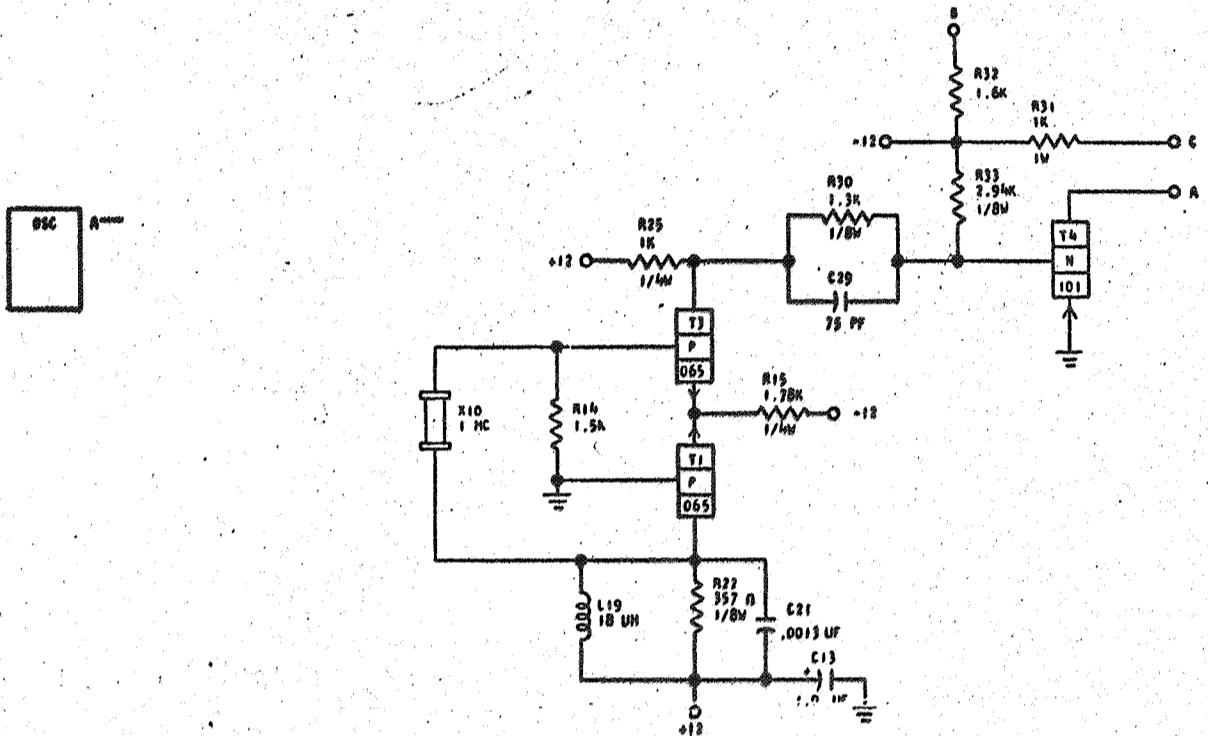


729947  
STANDARD CODE

CARD CODE 729947  
YDK -

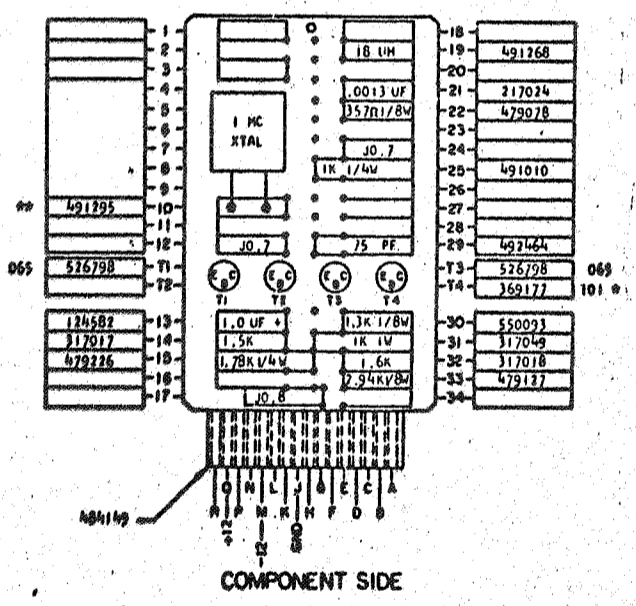
**REFERENCE DRAWING**  
SEE PRODUCTION DRAWING 370551

**SDTDL-SDTRL - 1 MC OSCILLATOR**



- SEQUENCE OF OPERATION**
1. WHEN POWER IS UP, THE OSCILLATOR TURNS ON.
  2. PIN A CAN BE TIED TO TWO DIFFERENT LOADS DEPENDING ON CURRENT REQUIREMENTS.

PINS	SIGNAL NAME	WAVE SHAPE	INC	LEVELS	
				MIN	MAX
A	OUTPUT		1MC	UP - .3	0
				DOWN - 5.8	-12.4B



CIRCUIT AND PACKAGING STANDARD	
APPROVAL	DATE
ABC	4-2-62

INTERNATIONAL BUSINESS MACHINES CORP.				DATE	CHANGE NO.	APPROVAL	DATE	CHANGE NO.	APPROVAL	DEVELOPMENT NO.
MODEL	CARD ASM	TSTR-SDTDL-		4-27-62	EC 115599					
		SDTRL-1 MC OSCILLATOR		30.4.61	37 83687					
DESIGN	RQ	D-1-62	SCALE	NONE						
CHECK	WH	D-1-62	DRAW	LIG	D-17-62					
APPROV			CHECK							

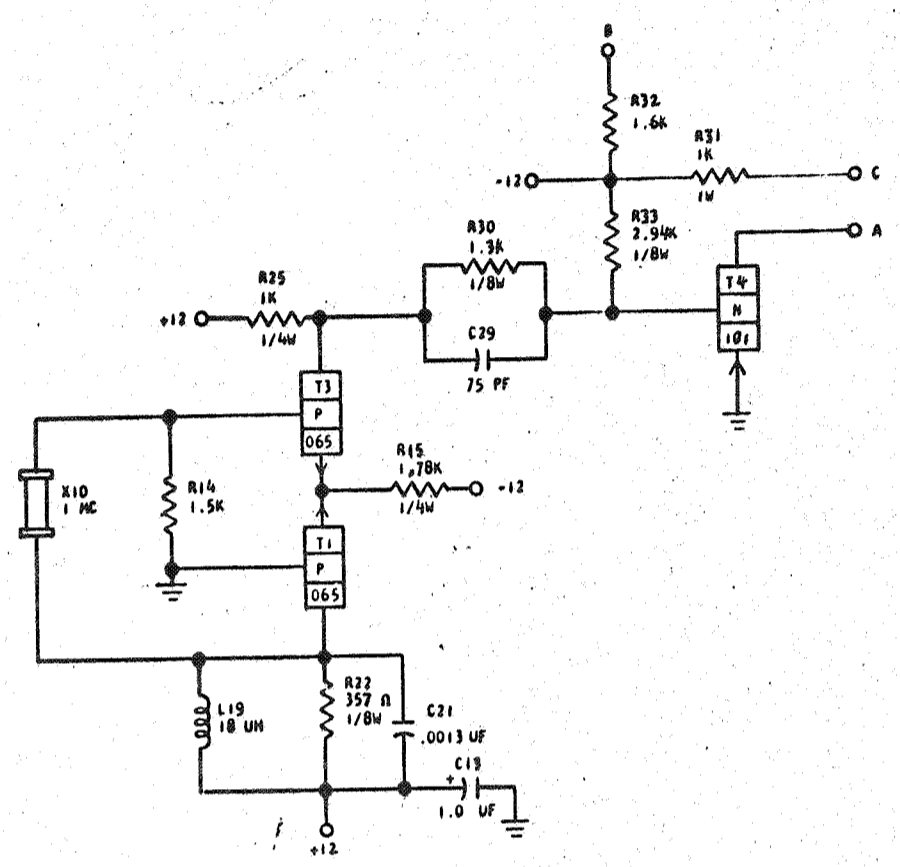
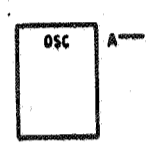
729947

729947  
STANDARDS CODE

CARD CODE 729947  
T D K -

**REFERENCE DRAWING**  
SEE PRODUCTION DRAWING 370551

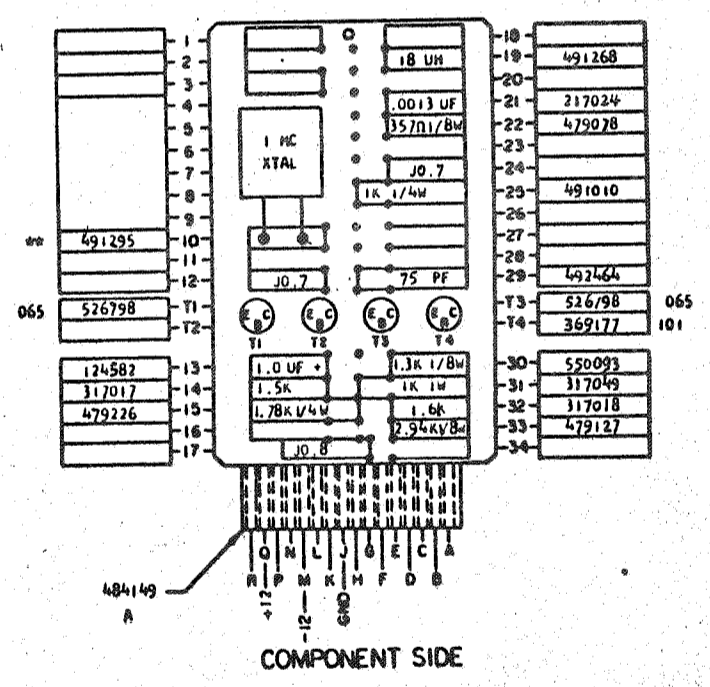
**SOTDL-SOTRL - 1 MC OSCILLATOR**



**SEQUENCE OF OPERATION**

1. WHEN POWER IS UP, THE OSCILLATOR TURNS ON.
2. PIN A CAN BE TIED TO TWO DIFFERENT LOADS DEPENDING ON CURRENT REQUIREMENTS.

PINS	SIGNAL NAME	WAVE SHAPE	LEVELS	LEVELS	
				MIN	MAX
A	S	OUTPUT	INC	UP -3	0
				DOWN -5.8	-12.48



CIRCUIT AND PACKAGING STANDARD	
APPROVAL	DATE
ABC	4-2-62

INTERNATIONAL BUSINESS MACHINES CORP.		DATE	CHANGE NO.	APPROVAL	DATE	CHANGE NO.	APPROVAL	DEVELOPMENT NO.
NAME CARD ASM YSTR-SOTDL-SOTRL-1 MC OSCILLATOR		2-27-62	115599					
		8-28-63	117802					
DESIGN	RQ	3-1-62	SCALE	NONE				
CHECK	WH	3-1-62	DRAW	LIG	3-17-62			
APPRO			CHECK					

729947