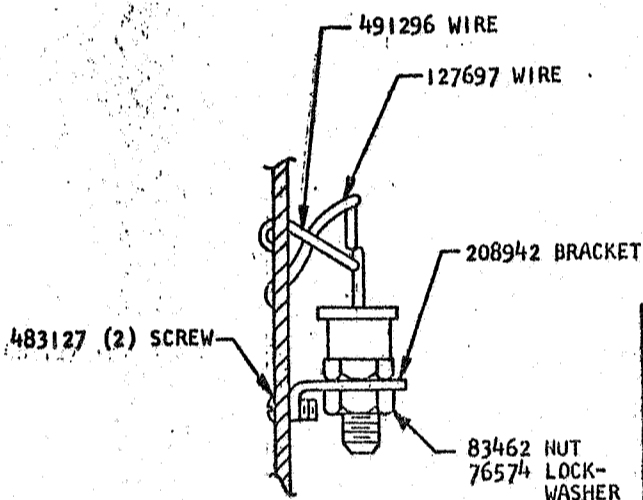
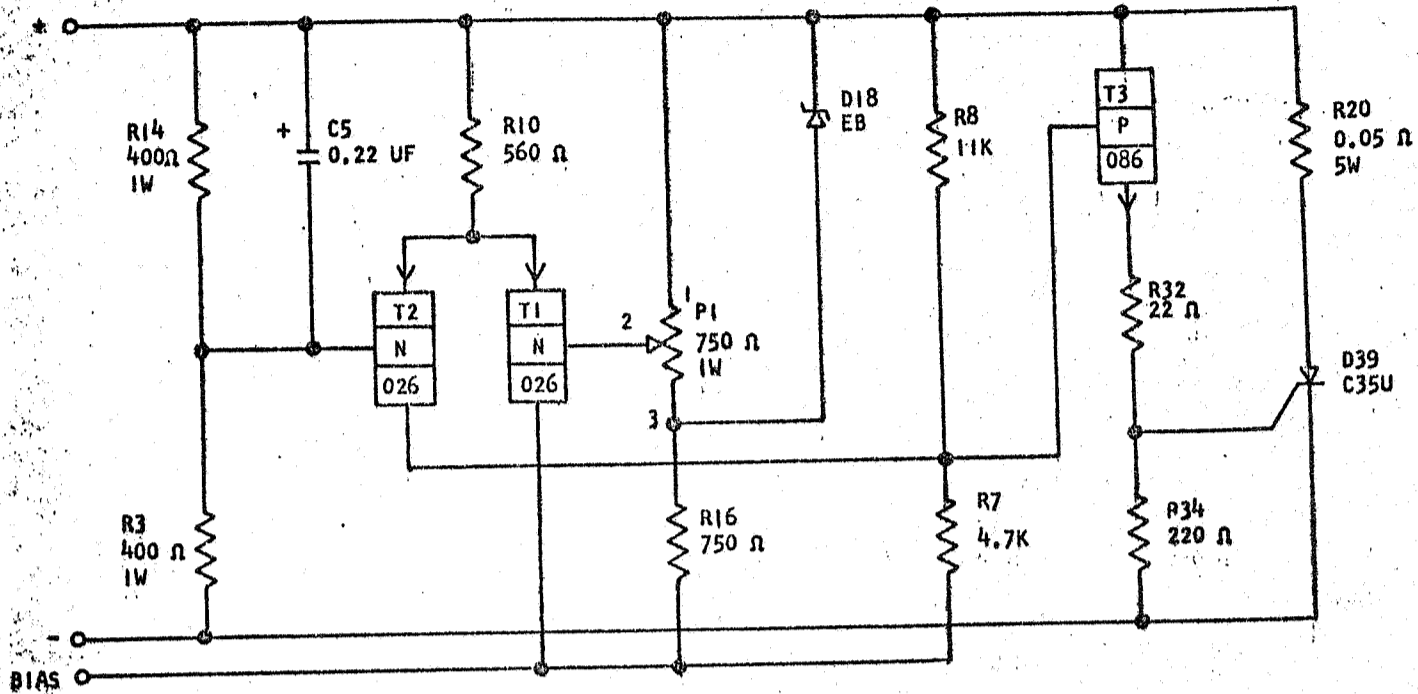


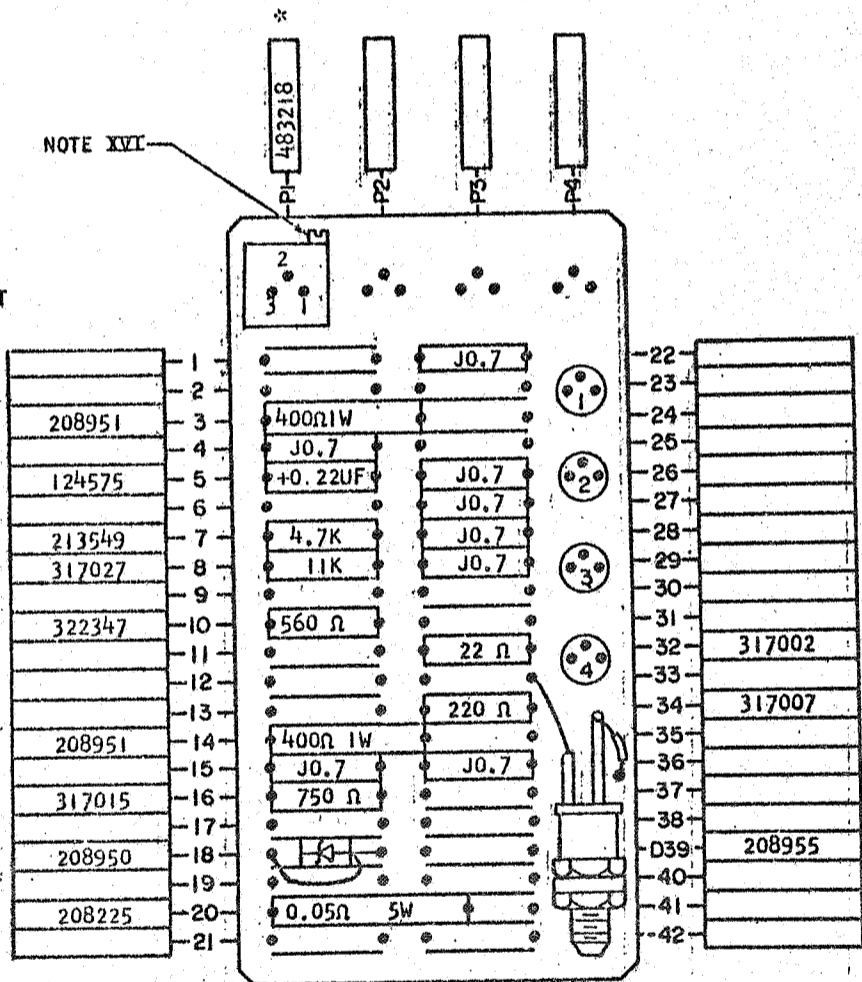
370575

OVERVOLTAGE PROTECTION 6 VOLT
MOUNT CARDS ON ONE-INCH CENTERS NOTE XV

370575
STANDARDS
CCODE
2-7045
Y G A -



NOTE XVI



NOTES

- X CIRCUIT MUST CONFORM TO ENGINEERING SPECIFICATION 892575
- XI ASSEMBLE TO ENGINEERING SPECIFICATION 895396 AND 891999
- XII ALL RESISTORS ARE 1/2 WATT AND ±5% UNLESS OTHERWISE NOTED (AS NOTE XIV)
- XIII "J" IN BLOCK NOTES BARE WIRE JUMPER, 491296
- XIV ALL 1 WATT RESISTORS ARE ±1%
- XV MAXIMUM HEIGHT THAT COMPONENTS MAY PROJECT ABOVE THE SURFACE OF THE CARD WILL BE .850
- XVI EPOXY CEMENT 483002 TO BE APPLIED TO RESISTANCE TRIMMING SCREW AFTER A VOLTAGE SETTING OF 6.78⁺¹⁰⁰/₋₁₀₀₀ VOLTS IS MADE
- ** XVII DIODE 208950 TO BE POSITIONED AS INDICATED
- ** XVIII BEND DIODE LEAD NEAREST RED DOT BACK OVER DIODE BODY AS SHOWN
- B XIX POTENTIOMETER 483218 AND CONTROL RECTIFIER 208955 NOT TO BE SUBJECTED TO LIQUIDS.

DPD CIRCUIT & PACKAGING STANDARD
APPROVAL DATE
HOLE PATTERN 493474

JHT 1-24-62

INTERNATIONAL BUSINESS MACHINES CORP.	DATE	CHANGE NO.	APPROVAL	DATE	CHANGE NO.	APPROVAL	DEVELOPMENT NO.
NAME CARD ASM TSTR - OVER-	5-26-61	111817	IWB	9-25-62	113606	MDL	88-2125
VOLTAGE PROTECTION 6 VOLT	11-28-61	112469	IWB				
DESIGN EDF 12-20-61 MODEL SMS	12-22-61	113162	IWB				
DETAIL JH 12-29-61 SCALE NONE	2-6-62	113685	MDL				
CHECK EDF 1-5-62 DRAW VE 7-17-62	5-23-62	D113950	MDL				
APPRO GWS 2-5-62 CHECK PRF 7-23-62							370575

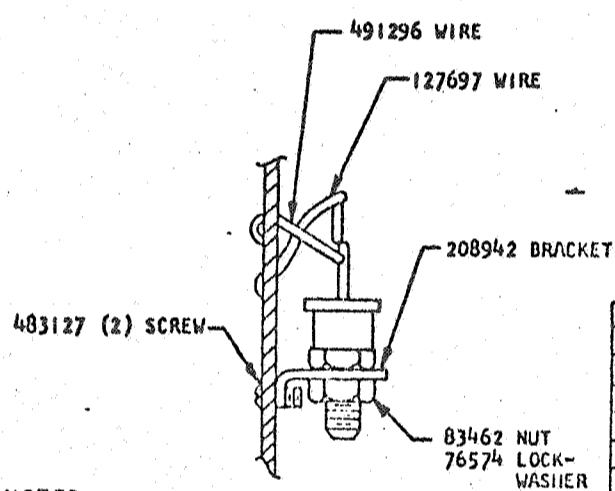
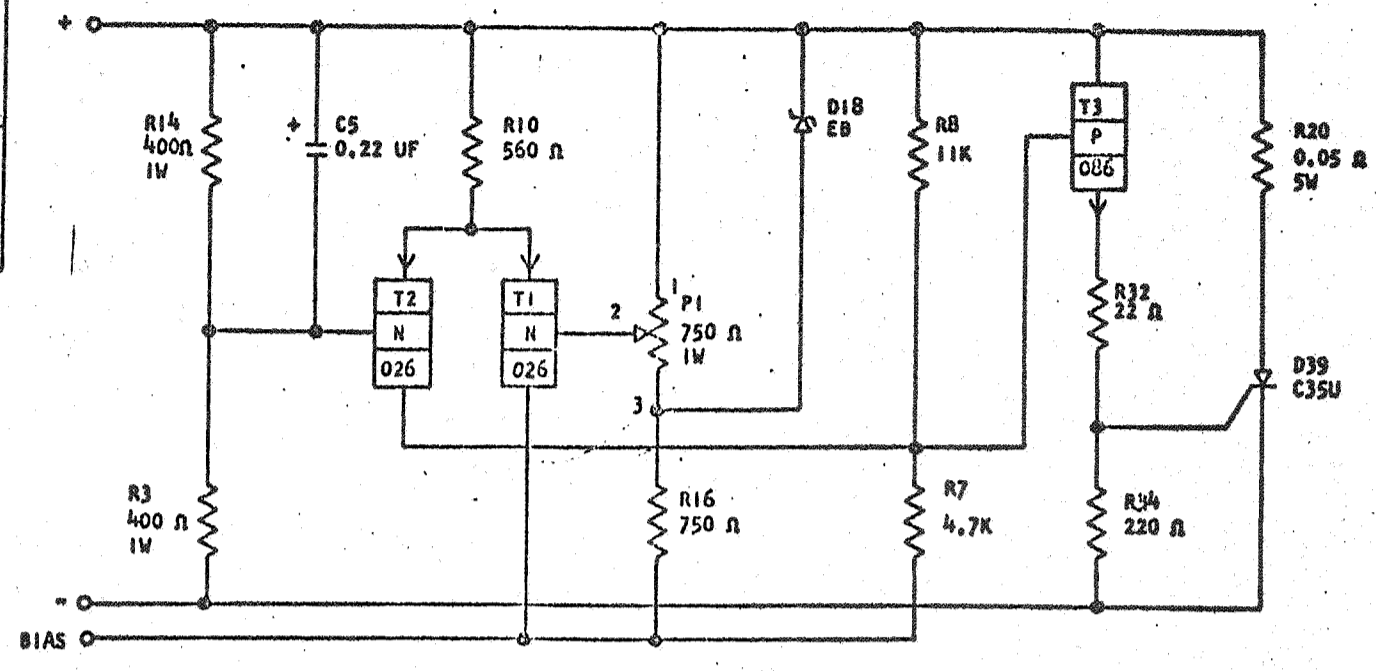
T1	535441	026
T2	535441	026
T3	369087	086
T4		
T5		
T6		
T7		

370575
STANDARDS CODE
2-7045 Y G A

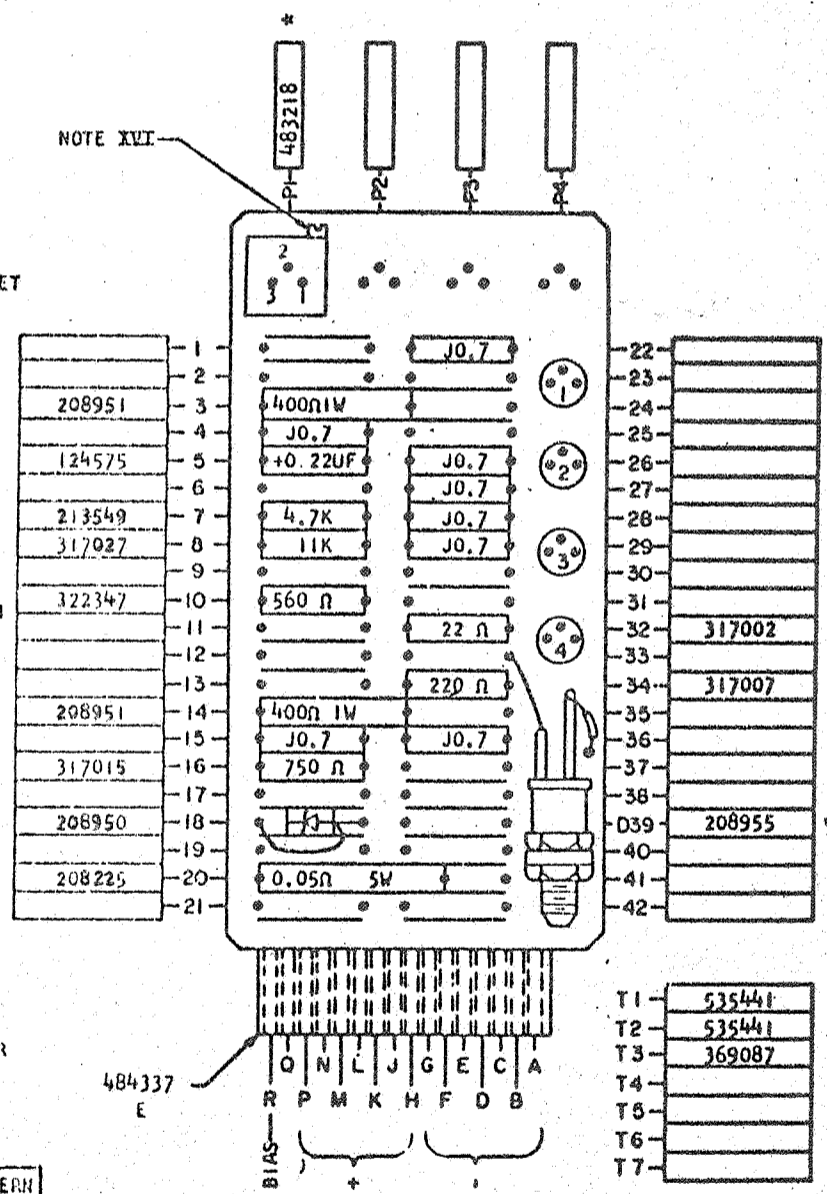
OVERVOLTAGE PROTECTION 6 VOLT

MOUNT CARDS ON ONE-INCH CENTERS NOTE XV

370575



- NOTES**
- X CIRCUIT MUST CONFORM TO ENGINEERING SPECIFICATION, 892575
 - XI ASSEMBLE TO ENGINEERING SPECIFICATION 895396 AND 891999
 - XII ALL RESISTORS ARE 1/2 WATT AND ±5% UNLESS OTHERWISE NOTED (AS NOTE XIV)
 - XIII "J" IN BLOCK DENOTES BARE WIRE JUMPER, 491296
 - XIV ALL 1 WATT RESISTORS ARE ±1%
 - XV MAXIMUM HEIGHT THAT COMPONENTS MAY PROJECT ABOVE THE SURFACE OF THE CARD WILL BE .850
 - XVI EPOXY CEMENT 483002 TO BE APPLIED TO RESISTANCE TRIMMING SCREW AFTER A VOLTAGE SETTING OF 6.78^{+0.100}_{-.000} VOLTS IS MADE
 - ** XVII DIODE 208950 TO BE POSITIONED AS INDICATED
 - ** XVIII BEND DIODE LEAD NEAREST RED DOT BACK OVER DIODE BODY AS SHOWN
 - B XIX POTENTIOMETER 483218 AND CONTROL RECTIFIER 208955 NOT TO BE SUBJECTED TO LIQUIDS.



DPD CIRCUIT & PACKAGING STANDARD	
APPROVAL	DATE
JHT	1-24-62
HOLE PATTERN 493474	

INTERNATIONAL BUSINESS MACHINES CORP.		DATE	CHANGE NO.	APPROVAL	DATE	CHANGE NO.	APPROVAL	DEVELOPMENT NO.
NAME CARD ASM TSTR - OVER-		5-26-61	111817	IWB	7-25-62	113606	MDL	88-2125
VOLTAGE PROTECTION 6 VOLT		11-28-61	112469	IWB	4-15-63	D116148	MDL	
DESIGN	EDF 12-20-61	MODEL	SMS					
DETAIL	JH 12-29-61	SCALE	NONE					
CHECK	EDF 1-5-62	DRAW	VE 7-17-62					
APPRO	GWS 2-5-62	CHECK	KF 7-23-62					
		5-23-62	D113950	MDL				370575

370575