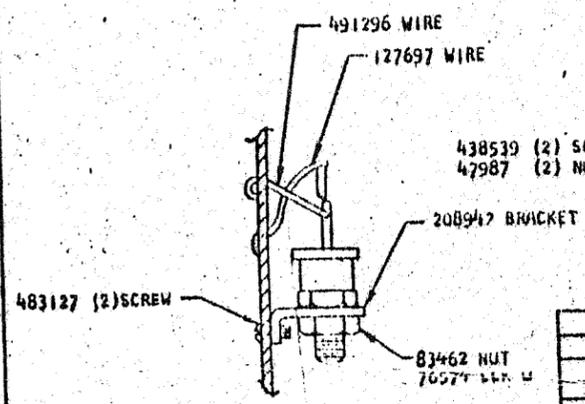
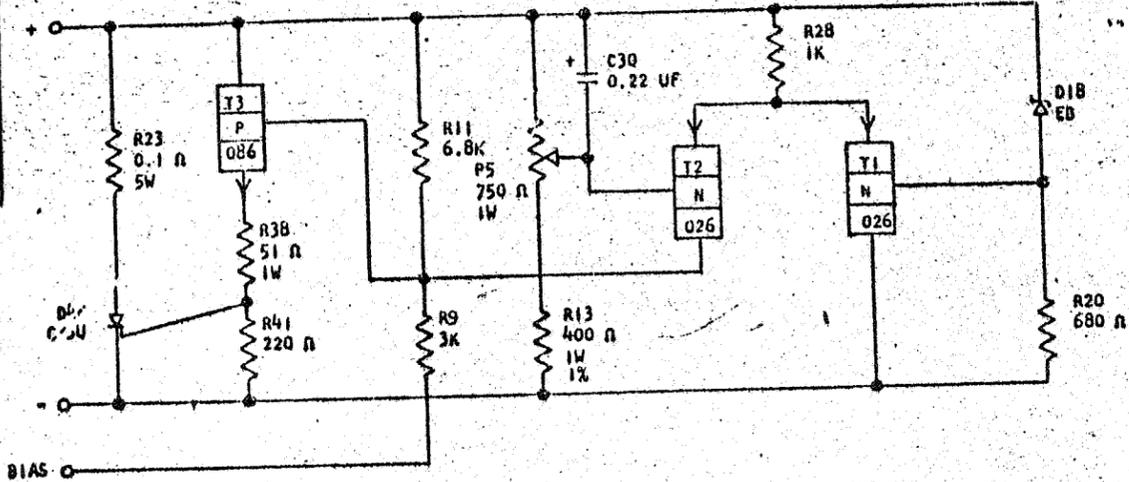


370576

OVERVOLTAGE PROTECTION 12 VOLT
MOUNT CARD ON ONE-INCH CENTERS. NOTE IX

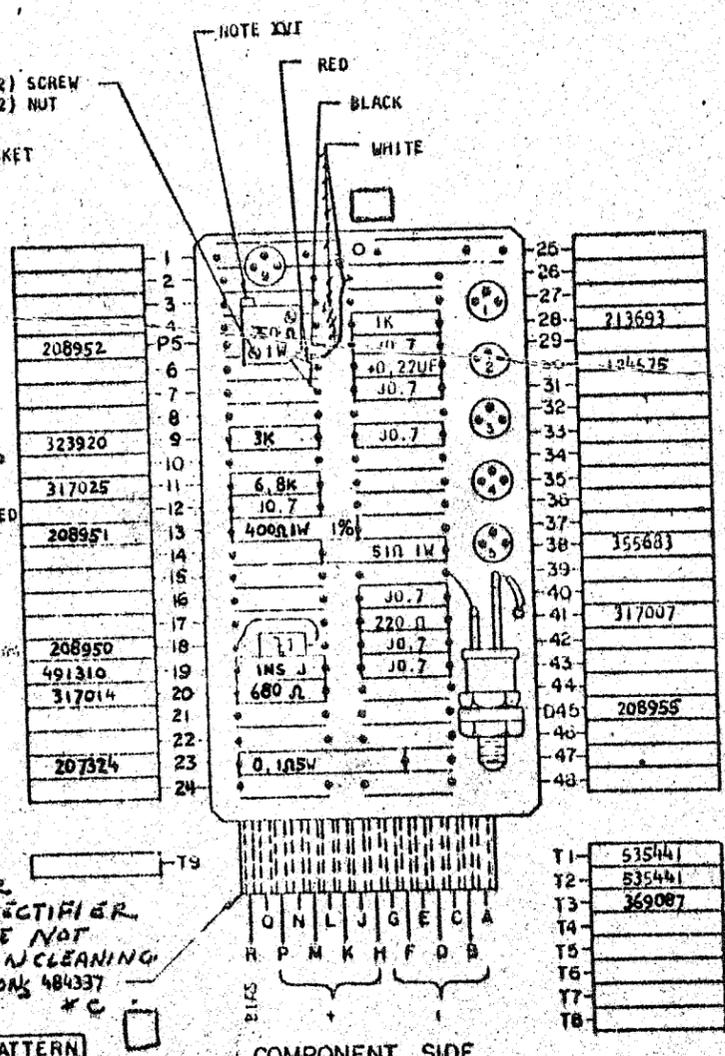
STANDARDS CODE
2-7045
370576
Y G B



NOTES

- X CIRCUIT MUST CONFORM TO ENGINEERING SPECIFICATION 892576.
- XI ASSEMBLE TO ENGINEERING SPECIFICATION 895396 AND 891939.
- XII ALL RESISTORS ARE 1/2 WATT AND ± 5% UNLESS OTHERWISE NOTED.
- XIII "J" IN BLOCK DENOTES BARE WIRE JUMPER 491296 UNLESS OTHERWISE SPECIFIED TO BE WELDED TO THE BOARD HAS BEEN SPECIFIED.
- XIV MAXIMUM HEIGHT THAT COMPONENTS MAY PROJECT ABOVE THE SURFACE OF THE CARD WILL BE .850.
- XV EPOXY CEMENT 483002 TO BE APPLIED TO RESISTANCE TRIMMING SCREW AFTER A .100 VOLTAGE SETTING OF 12.96-.000 VOLTS IS MADE.
- XVI DIODE 208950 TO BE POSITIONED AS INDICATED.
- XVII BEND DIODE LEAD NEAREST RED DOT BACK OVER DIODE BODY AS SHOWN.

* XIX ASSEMBLE POTENTIOMETER 208952 AND CONTROL RECTIFIER 208963 SO THAT THEY ARE NOT SUBJECT TO ANY PRODUCTION CLEANING OPERATIONS 484337



CIRCUIT AND PACKAGING STANDARD		DATE		HOLE PATTERN	
APPROVAL		DATE		493457	
JH Toloz		1/24/62			

INTERNATIONAL BUSINESS MACHINES CORP.		DATE	CHANGE NO.	APPROVAL	DATE	CHANGE NO.	APPROVAL	DEVELOPMENT NO.
NAME	CARD ASM TSTR - OVER-	5-26-61	111817	IWB	5-23-61	113950	MDL	88-2126
VOLTAGE PROTECTION	12 VOLT	7-27-61	112417	NGJ				
DESIGN	EDF 12-20-61	MODEL	SMS		11-28-61	112469	IWB	
DETAIL	JH 2-29-61	SCALE	NONE		12-22-61	113162	IWB	
CHECK	EDF 1-4-62	DRAW	VE 1-9-62		2-4-62	113685	MDL	
APPRO	GWS 2-5-62	CHECK	1-10-62		2-4-62	113685	MDL	

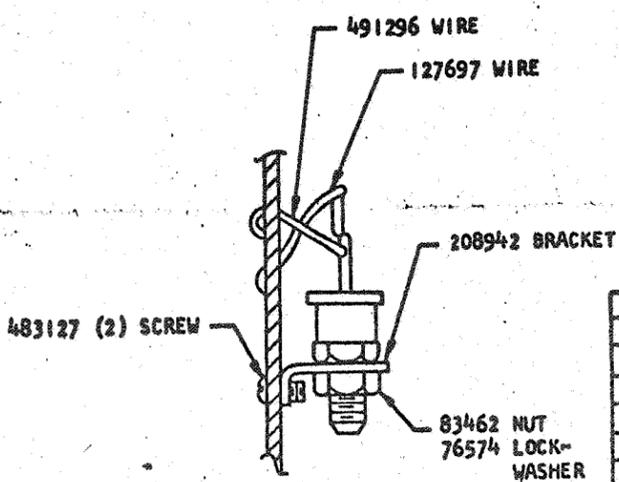
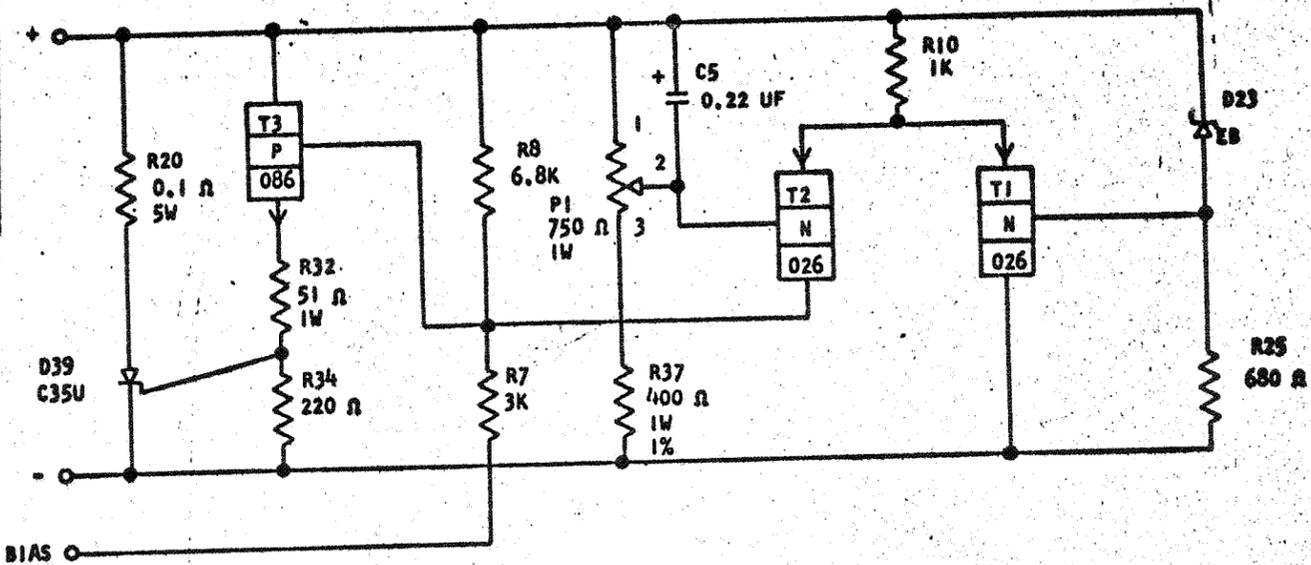
82-3987-2 6-22-61

370576

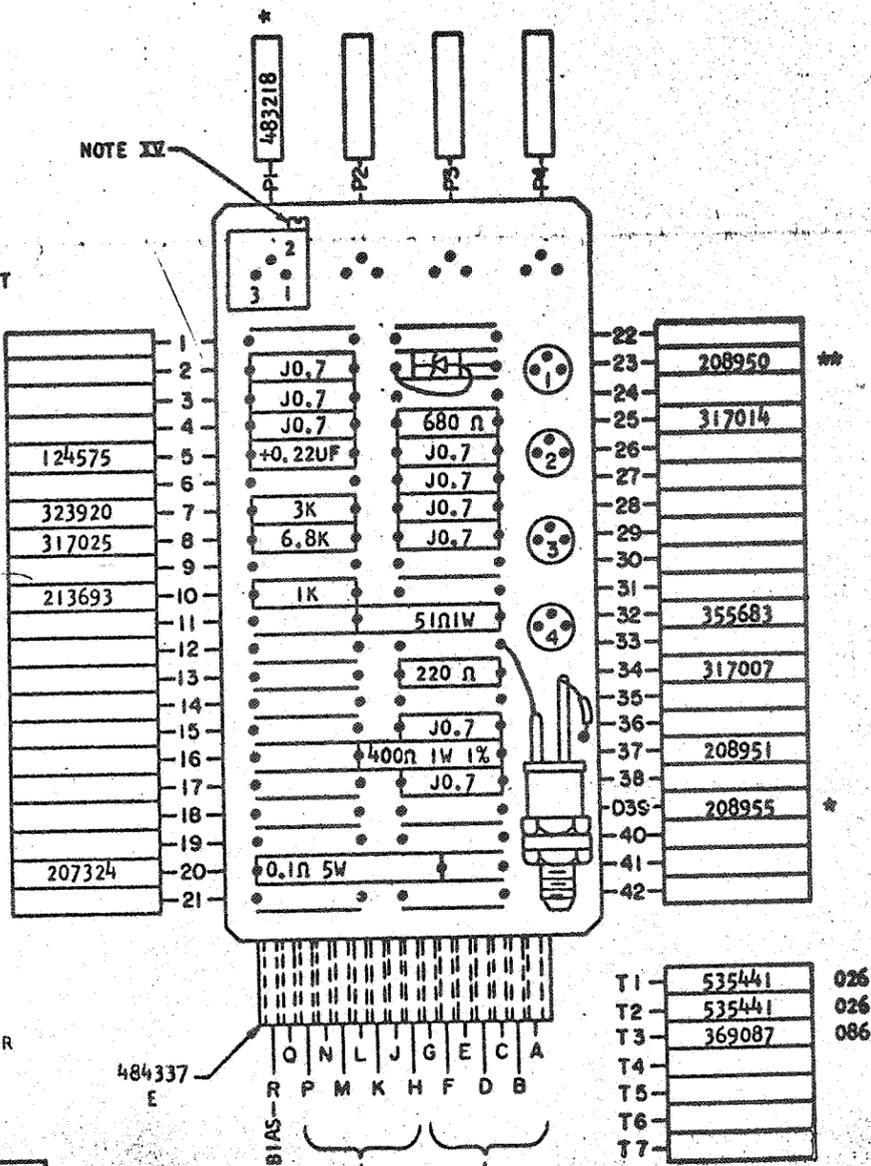
370576

OVERVOLTAGE PROTECTION 12 VOLT
MOUNT CARD ON ONE-INCH CENTERS NOTE XIX

370576
STANDARDS CODE
Y G B -
2-7045



- NOTES**
- I CIRCUIT MUST CONFORM TO ENGINEERING SPECIFICATION 892576
 - II ASSEMBLE TO ENGINEERING SPECIFICATION 895396 AND 891999
 - III ALL RESISTORS ARE 1/2 WATT AND ±5% UNLESS OTHERWISE NOTED.
 - IV "J" IN BLOCK DENOTES BARE WIRE JUMPER, 491296
 - V MAXIMUM HEIGHT THAT COMPONENTS MAY PROJECT ABOVE THE SURFACE OF THE CARD WILL BE .850.
 - VI EPOXY CEMENT 483002 TO BE APPLIED TO RESISTANCE TRIMMING SCREW AFTER A VOLTAGE SETTING OF 12.96⁺¹⁰⁰/₋₁₀₀₀ VOLTS IS MADE.
 - ** XVII DIODE 208950 TO BE POSITIONED AS INDICATED
 - ** XVIII BEND DIODE LEAD NEAREST RED DOT BACK OVER DIODE BODY AS SHOWN
 - IX POTENTIOMETER 483218 AND CONTROL RECTIFIER 208955 NOT TO BE SUBJECTED TO LIQUIDS.



DPD CIRCUIT & PACKAGING STANDARD	
APPROVAL	DATE
JHT	1-24-62
HOLE PATTERN	
493474	

INTERNATIONAL BUSINESS MACHINES CORP.	DATE	CHANGE NO.	APPROVAL	DATE	CHANGE NO.	APPROVAL	DEVELOPMENT NO.
NAME CARD ASM TSTR - OVER-VOLTAGE PROTECTION 12 VOLT	5-26-61	111817	IWB	5-23-62	D113950	MDL	88-2126
DESIGN EDF 12-20-61 MODEL SMS	7-27-61	112417	NGJ	9-25-62	113606	MDL	
DETAIL JH 12-29-61 SCALE NONE	11-28-61	112469	IWB	4-15-63	D116148	MDL	
CHECK EDF 1-4-62 DRAW VE 7-17-62	12-22-61	113162	IWB				
APPRO GWS 2-5-62 CHECK RF 7-23-62	2-6-62	113685	MDL				

370576